

Reproduction Antique Barn Door Hardware

We manufacture our heavy-duty hardware in Connecticut. It replicates original hardware in use since the 1800's.

Roller assembly and hardware are made from steel and machined castings with a stainless steel axel.

Large and medium roller wheels have 5 spokes while small and mini wheels are solid. Track is 1/4" x 1-1/4" steel bar stock.

Track standoffs are machined castings. Finish is black, exterior grade, powder coat.

Hardware is suitable for doors up to 2" thick. Track standoffs can be padded out if needed to accommodate thicker doors.

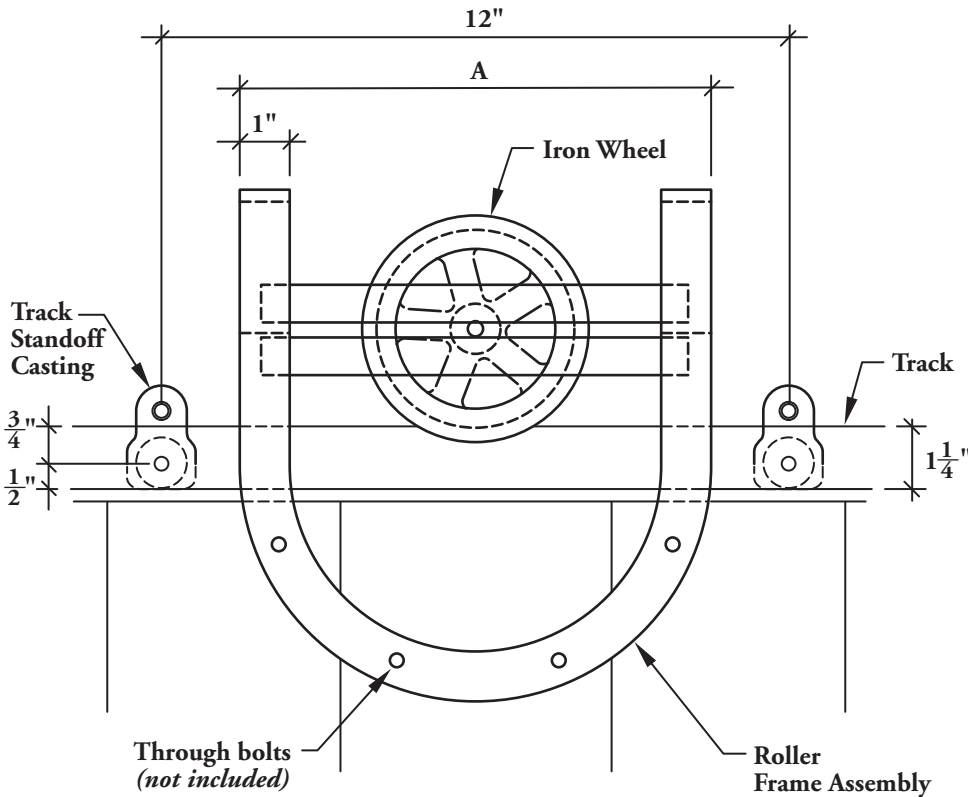
The correct fasteners for each application must be determined by the customer. We do offer various fasteners that work well in most cases.

Four sizes of hangers are available:*

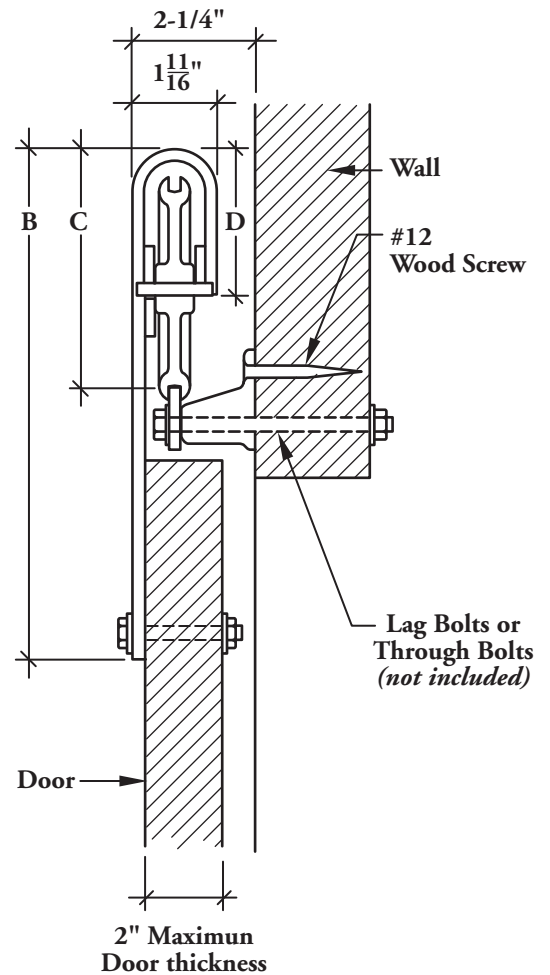
Large	11-1/2" wide
Medium	8-1/2" wide
Small	7-1/2" wide
Mini	5-1/2" wide

Track information:

- 4' lengths of track require 5 standoffs
- 6' lengths of track require 7 standoffs
- 8' lengths of track require 9 standoffs
- Track length needs to be approximately twice the width of the door.



Front view of Door Roller



Cut away side view of Door Roller

Model	A	B	C	D
Large	11-1/2"	11-3/8"	4-3/4"	2-7/8"
Medium	9-1/2"	10-3/8"	4-3/4"	2-7/8"
Small	7-1/2"	9-3/8"	3-1/2"	2-3/8"
Mini	5-1/2"	9-3/8"	3-1/2"	2-3/8"

SNUG COTTAGE HARDWARE

snugcottagehardware.com

Phone (800) 637-5427 Fax (519) 473-2794