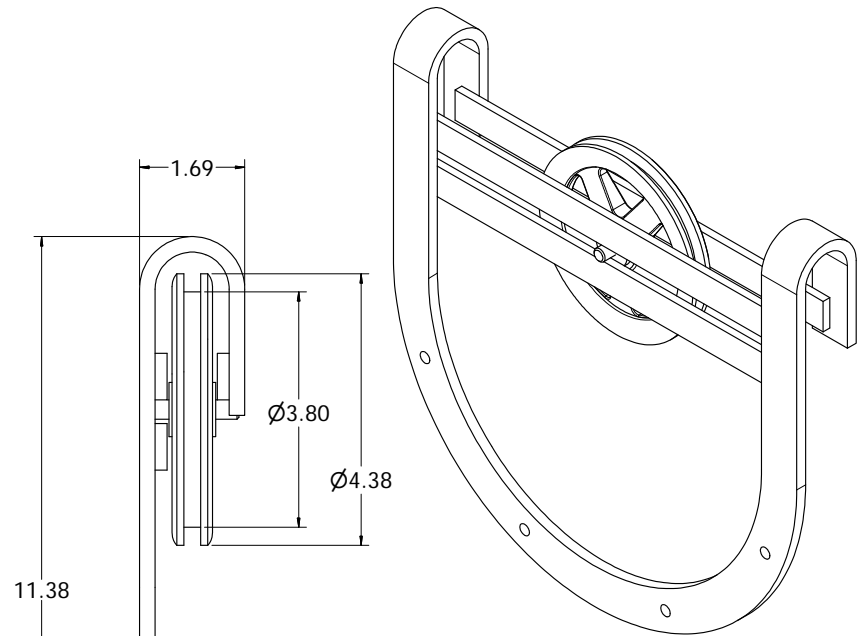
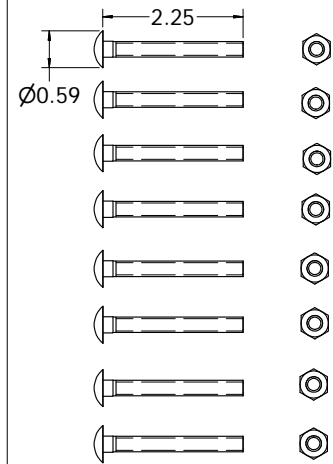


NOTE: QTY 2



HARDWARE



**3003
LARGE HANGERS**