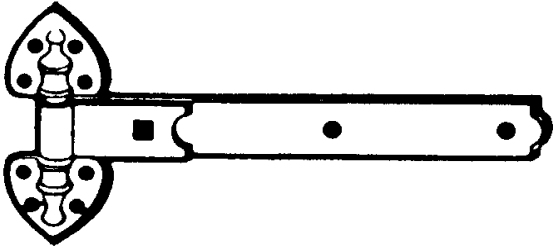


# Old Fashioned Heavy Duty Reversible Hinges Mounting Instructions (18", 20", & 24")



The 18, 20 and 24 inch hinges have a 5/8" diameter pin and use the #3 cast iron cup (2 5/8" wide).

Fasten the two straps to the door or gate at the desired location using two #12 screws (min length 1.5"). Ensure the straps are perpendicular to the hinge side of the door or gate and that the pin end of the hinge strap overhangs the edge of the gate or door. Measure the overhang to the center of the hinge pin and allow for the following:

1. The planned space between the gate or door and the post or jamb. This space is required to allow for expansion of the wood without causing binding – it should be a minimum of 1/4" but can be greater if needs be.
2. Half the width of the hinge mounting cups which in this case would be 1 5/16".
3. You should set the edge of the hinge cup back from the edge of the post or jamb at least 1/4". This will give the screws that fasten the hinge cups more holding power as they will be installed farther away from the edge of the post or door jamb.

**For Example:** If the edge of the cast iron cups are to be mounted 1/4" from the edge of the gate post (as described in #3 above) and the space between the gate and the post is to be 1/4" (as described in #1 above) the distance from the center of the square hole in the strap to the edge of the gate should be 1 3/4" and the distance from the edge of the gate to the center of the pin on the strap should be 1 3/4".

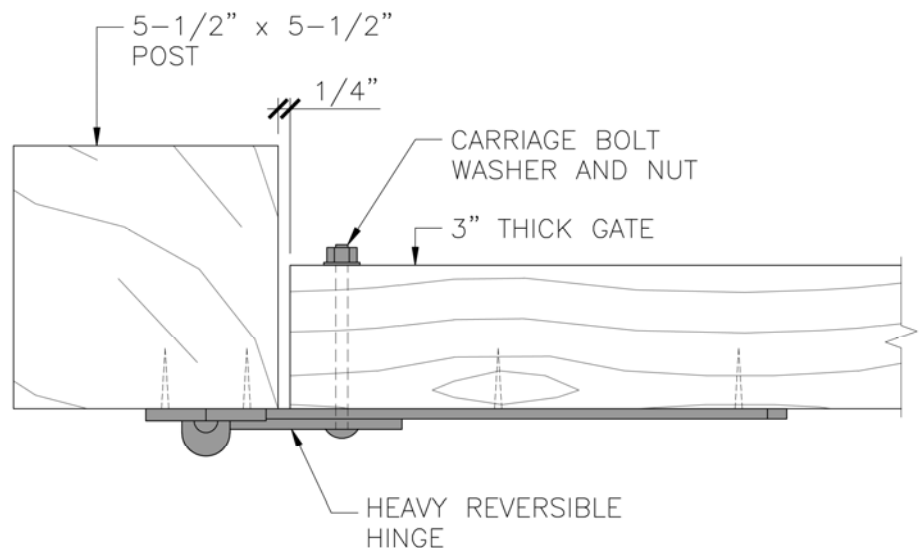
**THE EXAMPLE ABOVE IS JUST TO ILLUSTRATE ONE WAY OF FLUSH MOUNTING THESE HINGES. THE MEASUREMENTS AND IDEAS LISTED ABOVE CAN BE ADJUSTED IN MANY WAYS TO SUIT YOUR NEEDS. REMEMBER TO PLAN YOUR INSTALLATION THOROUGHLY SO YOU DON'T HAVE ANY PROBLEMS.**

Once the straps are screwed to the gate or door, a 1/2 inch carriage bolt (long enough to penetrate the gate or door) should be inserted through the square hole in the strap and through a 1/2 inch hole drilled through the door. A nut and washer are then tightened on the back side of the door. When installing our black hardware we suggest the use of our colour match touch up paint (item# 1200-10B) on the carriage bolt heads to perfect your installation, black rust paint will also work if you have it.

Using blocks and/or shims place the gate or door in its intended location. Install the bottom cup on both hinges using only two #12 x 2" screws in opposing fashion in each cup. (drill an appropriate sized pilot hole to prevent the wood from splitting) Remove the shims and check that the gate or door swings and aligns properly. When the door fits properly install the two top cast iron cups using two screws as above. **WHEN PLACING THE TOP CUPS OVER THE PINS DO NOT PUSH THEM DOWN TIGHTLY AGAINST THE PIN, LIFT THEM BACK OFF ABOUT AN 1/8" TO ALLOW FOR EXPANSION AND FREE MOVEMENT WITHOUT BINDING.** Test for proper operation and if it works as it should install the remaining fasteners in the hinge cups.

**FOR JAMB MOUNTING INSTALLATION INSTRUCTIONS AND DIAGRAMS, PLEASE VISIT  
[WWW.SNUGCOTTAGEHARDWARE.COM](http://WWW.SNUGCOTTAGEHARDWARE.COM)**

The picture to the right shows a basic flush mount installation.



**Snug Cottage Hardware Inc.**  
Marysville, Michigan, USA and  
London, Ontario, Canada

Phone (800) 637-5427 Fax (519) 474-3337

[www.snugcottagehardware.com](http://www.snugcottagehardware.com)