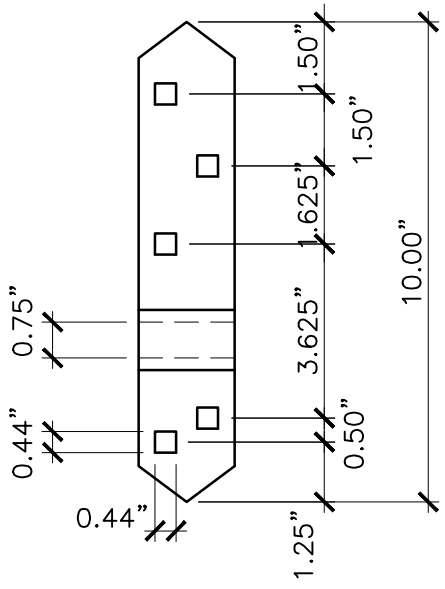
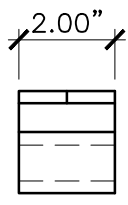


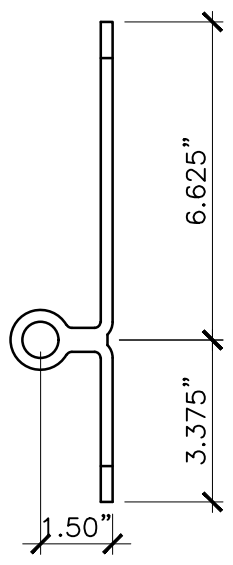
<p>PROPERTY OF:</p> 	<p>PRODUCT DESCRIPTION:</p> <p>24" DOUBLE STRAPS WITH REAR EYE (3.5" GAP)</p> <p>ALL DIMENSIONS $\pm 0.125"$</p>	<p>PART NUMBER:</p> <p>8325</p>
---	---	---------------------------------



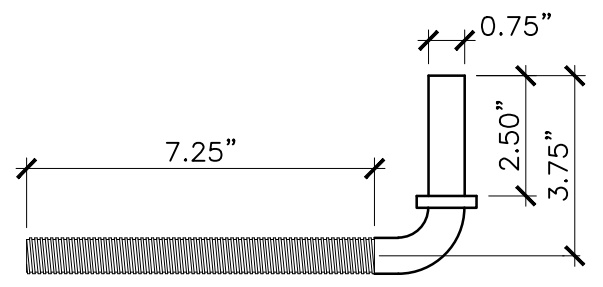
FRONT



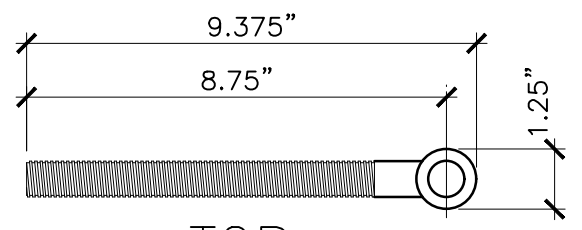
TOP



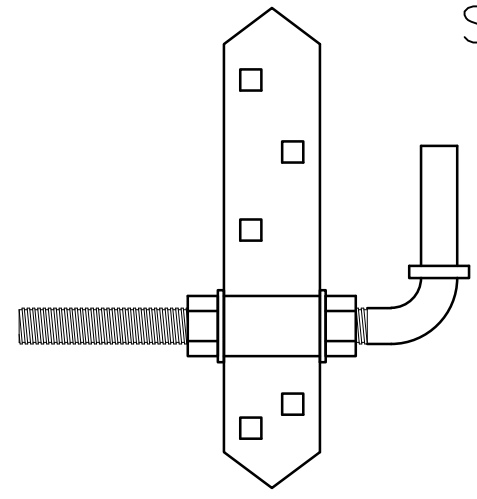
SIDE



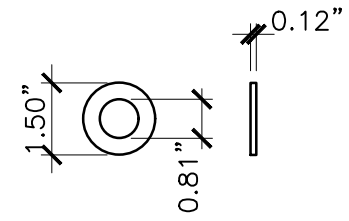
SIDE



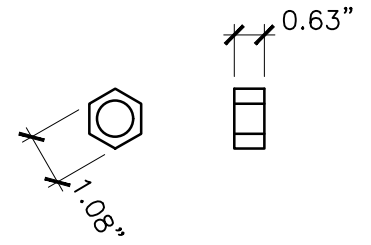
TOP



FRONT ASSEMBLED



WASHER X2



NUT X2

<p>PROPERTY OF:</p> 	<p>PRODUCT DESCRIPTION:</p> <p>ADJUSTABLE HINGE MOUNT WITH 8" THREADED PIN</p> <p>ALL DIMENSIONS $\pm 0.125"$</p>	<p>PART NUMBER:</p> <p>8256</p>
---	--	---------------------------------