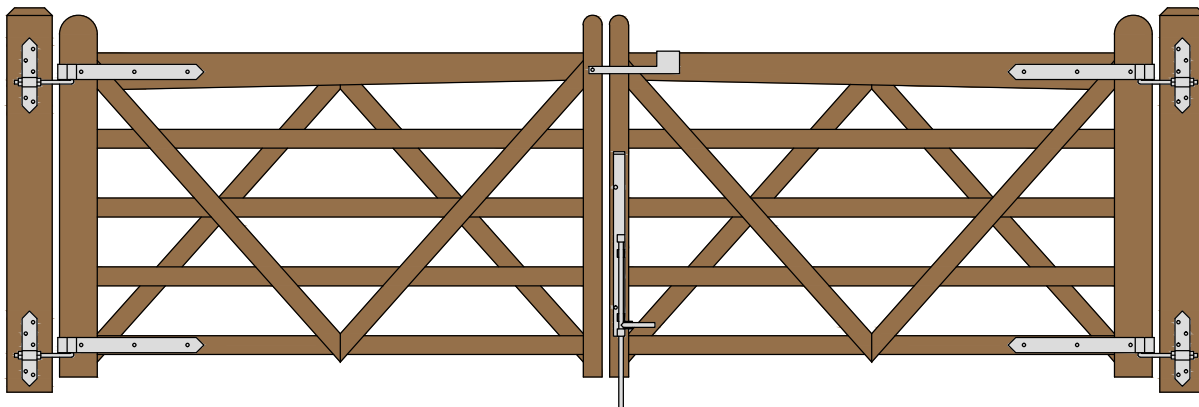


DOUBLE "V" RAIL GATE PLAN

Double Gate Configuration - Tapered Top Rail

(6' & 6' FOOT WIDE 48" HIGH GATES) REAR EYE HINGES (Product Codes #8324) GATE HUNG BETWEEN POSTS

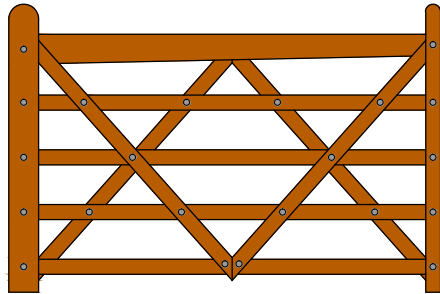


Distance between gate and hinge post	A
Width of Left Gate	B
Distance between gates	C
Width of Right Gate	D
Distance between gate and hinge post	E
Total distance between posts	F

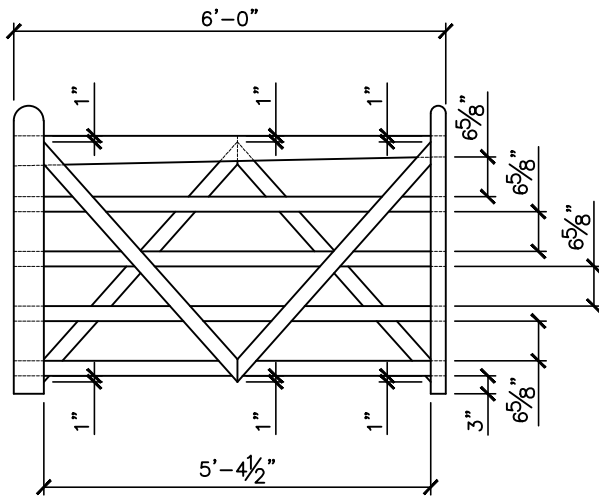
Hardware Required						
	Galvanized Finish	Black Powder Coat over Galvanized Finish	Rear Eye Hinge Advantages			
Hinge Sets	2 of 8324-S182	2 of 8324-S18P	Opens 180 degrees Incredible amount of adjustment Easy operation & Very Strong Minimal distance between gate and post			
Fasteners included with double strap hinges - Mounting plate fasteners sold separately**	Two Sets Includes					
	four 18" double strap (8324-182 or 8324-18SP) four mounting plate with 8" adjustable threaded pins(8256-342 or 8256-34P)					
Cane Bolt (Vertical)	1 or 2 of 5000-242*	1 or 2 of 5000-24SP*	Dimensions (feet and inches) A B C D E F			
Fasteners included with latches	Central Latch Options Throw Over Gate Loop 4200-032 4200-03SP Slide Bolt Latch (Flush/ Jamb Mount) 5002-L122 5002-L12SP					
Lumber Required						
Posts	2 of 8' x 6" x 6" (usually dressed out at 5.5" x 5.5")					
	Rails, Stiles (uprights) and Diagonals made from full 1" thick by 5.5" wide lumber (commonly stocked decking material or rough cut lumber)					
Top Rails (tapered)	3 of 12' x 1" x 5.5" (cut to 5.5" x 6')					
Rails	2 of 12' x 1" x 5.5" (cut to 2.5" x 6')					
Stiles	3 of 8' x 1" x 5.5" (4 x 5" x 4' for hinge sides and 4 x 2.5" x 4' for latch sides)					
Diagonals	2 of 10' x 1" x 5.5" (cut to 2.5" x 5')					
Filler blocks for bottom hinge	use off cuts from other pieces for all filler blocks					
Fasteners Required						
2 of FP-DoubleV Fastener Pack for Double V Gate Build (One pack includes: 14 of 3.5" & 15 of 2.5" carriage bolts with washers and nuts & 40 of 1.75" wood screws)						
**Mounting Plate Fasteners - 20 of 3/8" carriage bolts that are 1" longer than thickness of gate post (preferred) or 20 of 3/8" lag bolts (minimum of 4" long)						
*One 24" Cane Bolt (5000-242 or 5000-24SP) is required for central stability. Two are needed if you require a means of keeping the gates open.						

SNUG COTTAGE HARDWARE

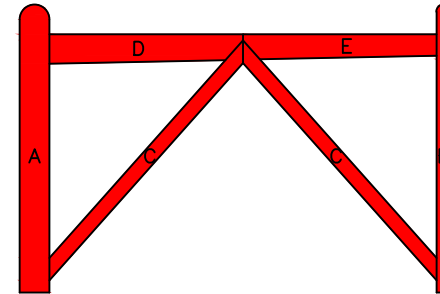
Download includes this materials list, component cutting and layout sheet, tips on installing gate posts, and detailed instructions.
 For a complete listing of our free gate plans and gate layouts visit snugcottagehardware.com.



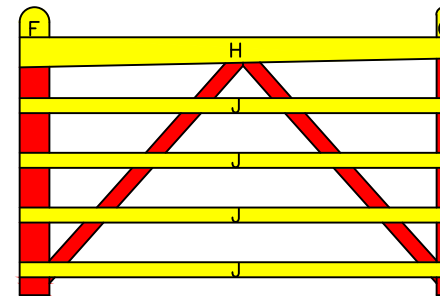
6' DOUBLE 'V' GATE



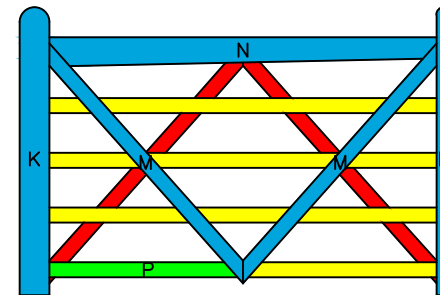
GATE DIMENSIONS



FIRST LAYER



SECOND LAYER

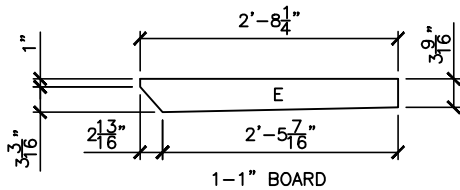
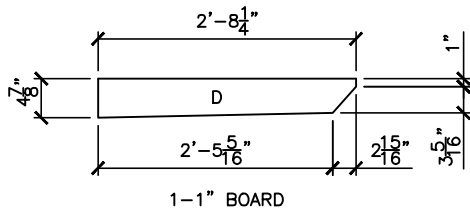
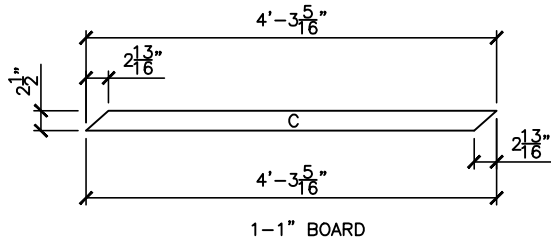
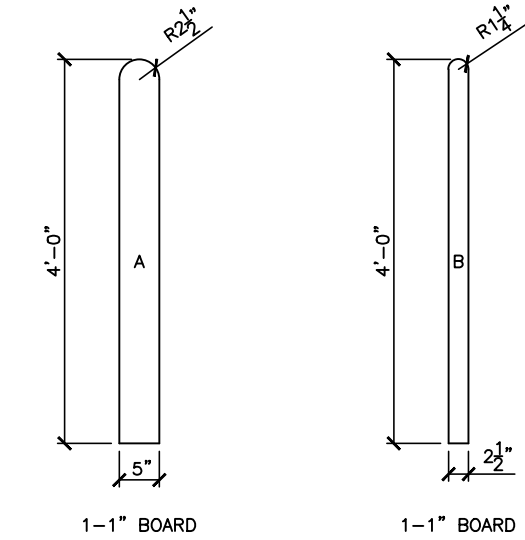


THIRD LAYER

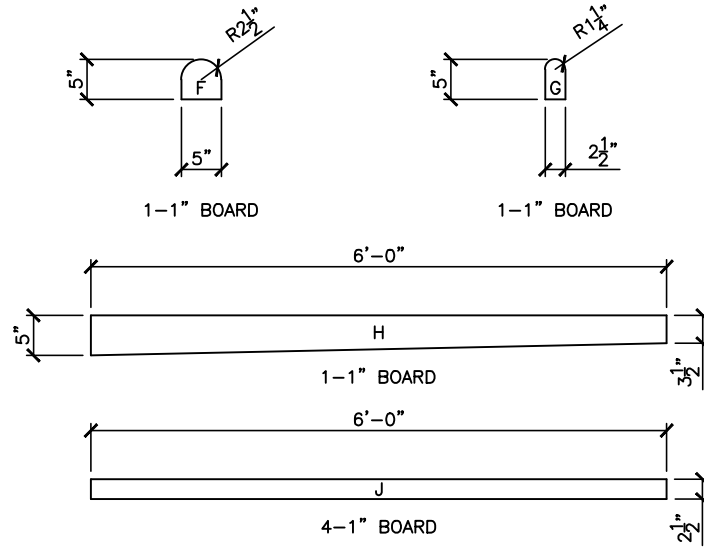
BUILDING STEPS

PROPERTY OF:
 SNUG COTTAGE
 HARDWARE LLC
 MARYSVILLE MI.
 48040

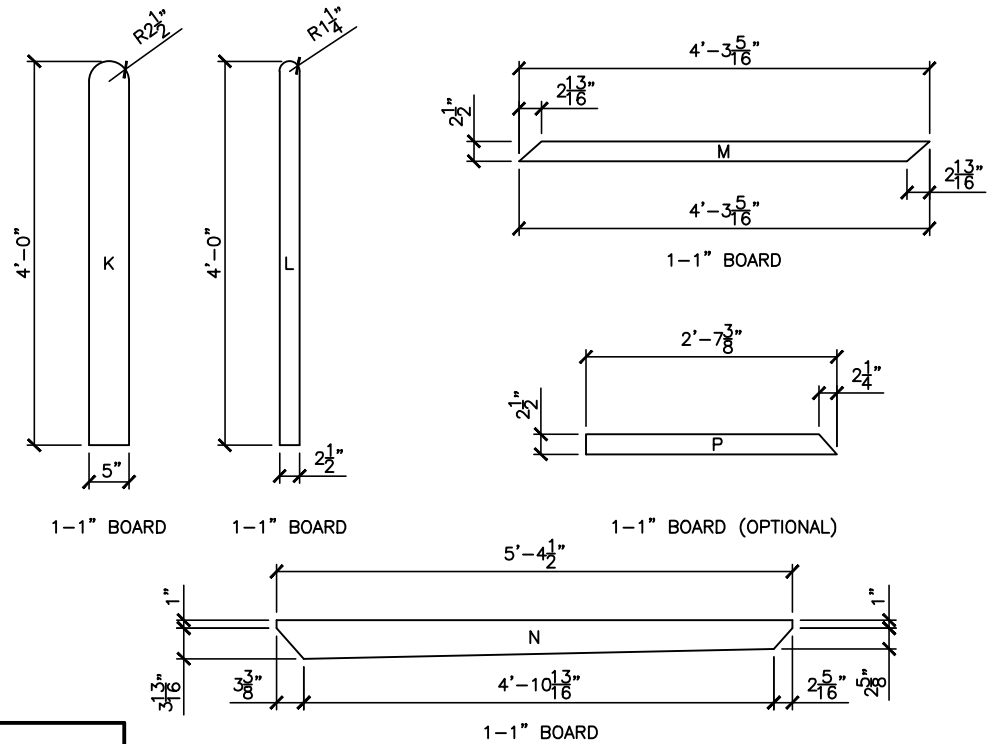
PRODUCT DESCRIPTION:
 6' DOUBLE 'V' GATE
 ALL DIMENSIONS ±0.125"



FIRST LAYER COMPONENTS



SECOND LAYER COMPONENTS



THIRD LAYER COMPONENTS

PROPERTY OF:

SNUG COTTAGE
HARDWARE LLC
MARYSVILLE MI.
48040

PRODUCT DESCRIPTION:

6' DOUBLE 'V' GATE COMPONENTS

ALL DIMENSIONS $\pm 0.125"$