

6152 Contemporary Ring Gate Latch Setback Mount Installation Instructions

Before you begin installation, please consult your local building code and/or pool code to ensure this product is suitable for your application. Periodic maintenance and testing to ensure proper operation is recommended.

Specifications: This Setback Mount (Jamb Mount) version of the Contemporary Ring Latch is designed for use where the gate will be set back from the face of the posts – **not flush**.

Space Needed: A minimum 1" space is required between the gate and the latch post and an approximate clear surface area on the gate of **4 1/2" wide x 5 1/2" tall**.

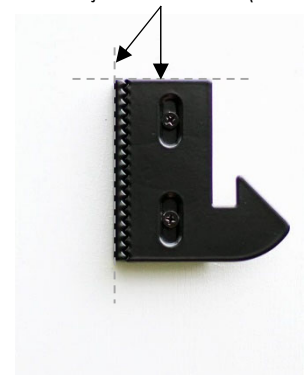
Gate Thickness: This latch comes standard for use with gates up to 5" thick. The key stock can be cut to accommodate thinner gates and if a larger key stock is required we offer a 12" length (4149-K12).



Installation Instructions:

1. Place the latch bar and retainer on the gate in the desired location. Keep in mind the spacing you have allowed between the gate and the latch post as this will have a direct impact on the latches horizontal alignment on the gate.
2. Once you have it in the desired location, mark the top two screw holes in the base plate.
3. Move the latch and draw a line connecting the marks you just made. Find center between the two original marks and make a new mark.
4. Measure down from the center mark 1/2" and make a new mark. This new mark will be the center of your 3/4" hole.
5. Drill a 3/4" hole through the gate at the position described above for the key stock to pass through and make the gate operational from either side. Be sure to place a scrap piece of lumber on the back side of the gate while drilling to minimize tear out on the back side.
6. Clean up the edges of the 3/4" hole with a file or chisel to ensure there are no frayed edges to prevent free rotation of the ring latch parts.
7. Align and fasten the ring latch base plate to the gate ensuring the center of the rotational area is centered over the hole you drilled through the gate.
8. Lift the latch bar to the desired (plumb) level and install the retainer with 2 wood screws (use #8 x 1.5").
9. Cut the key stock to a length 7/8" longer than the overall thickness of the gate it will pass through. Then position it through the gate into the square hole in the back of the latch bar base plate.
10. Place the secondary ring over the square rod ensuring it is also centered over the hole and screw it to the opposite side of the gate (use 1" #8 screws).
11. Test that turning the rings on both sides of the gate allow the bar to rise and fall easily without obstruction.
12. Once you have the latch installed on the gate you can place the gate in the closed position inside the opening and mark the placement of the base plate for the adjustable catch (striker) on the latch post.
13. Once you have determined the desired location, dismantle the catch from the adjustable base plate and fasten the base plate to the post on your marks using only two of the 2" x #12 screws in opposing corners. **(by using only two in opposing corners for the initial install you will allow for re-installation of the base plate at a later date without the chance of the screws finding the same holes should your posts heave beyond the basic adjustment of the striker)**

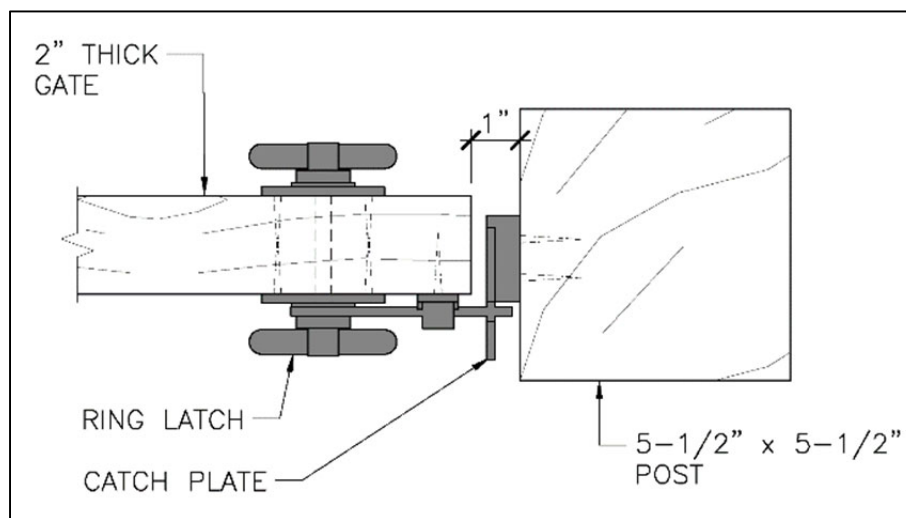
Mark the top and side of the adjustable catch (striker).



14. Install the catch (striker) on the installed base by using the supplied machine screws.
15. Make sure you are happy with the operation of the latch at this point by opening and closing the gate a bunch of times. If you are satisfied with the operation move on to install the supplied gate stop.
16. With the gate in the closed position and the latch bar centered front to back in the striker, you can now install the gate stop behind the gate to stop the gate when it closes.

INSTALLING GATE STOP (1400-015SP) - Included with this latch

The use of a gate stop on the latch post is recommended when using a gate spring, cannonball gate closer, or in cases where the gate is subject to high winds. Close the gate with the horizontal bar on the latch just touching the catch on the fence post. With the gate in this position install the gate stop on latch post ensuring the front of the stop fits snug against the gate in this closed position without putting any stress on the latch bar. FAILURE TO INSTALL A GATE STOP VOIDS ANY WARRANTY THIS PRODUCT MAY CARRY.



Installation Detail

Snug Cottage Hardware

London, Ontario, Canada and Marysville, Michigan, USA
Phone (519) 473-2794 Fax (519) 474-3337
www.snugcottagehardware.com