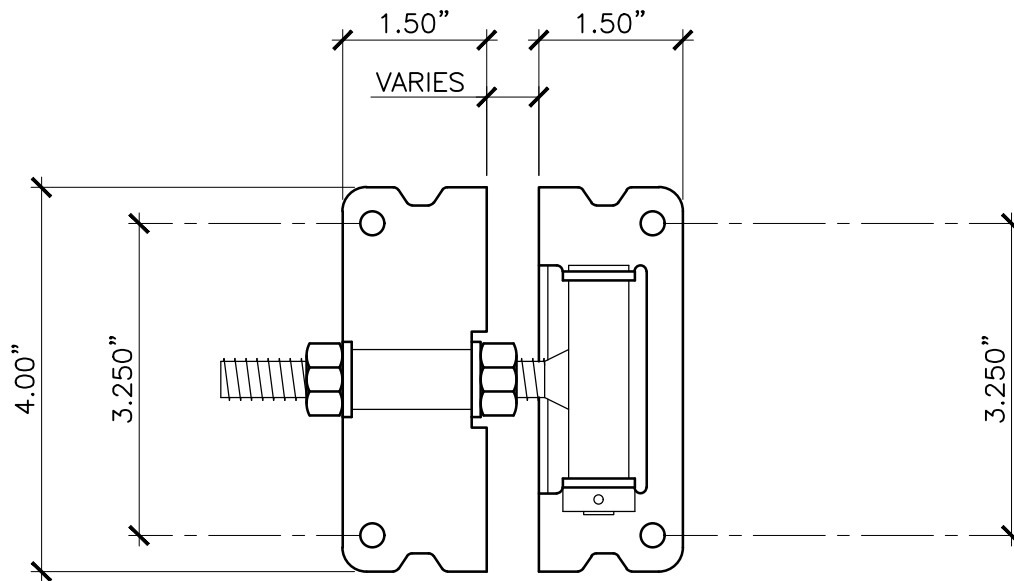


TOP VIEW



FRONT VIEW

PROPERTY OF:



PRODUCT DESCRIPTION:

ADJUSTABLE SELF-CLOSING HINGE FOR ORNAMENTAL ALUMINUM GATES

ALL DIMENSIONS  $\pm 0.125"$

PART NUMBER:

3100-BPSS