



4152 Twisted Ring Gate Latch Setback Mount Installation Instructions

Before you begin installation, please consult your local building code and/or pool code to ensure this product is suitable for your application. Periodic maintenance and testing to ensure proper operation is recommended.

Specifications: Jamb Mount/Set Back Mount (this version of the Twisted Ring Gate Latch is designed for use where the gate will be set back from the face of the posts – *not flush*).

Space Required: A minimum 1" space is required between the gate and the post. An approximate area of 4.5" wide x 4" tall is required for the latch to be mounted on.

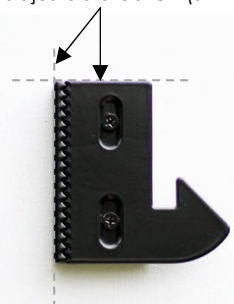
Gate Thickness: This latch comes standard for use with gates up to 5" thick. The key stock can be cut to accommodate thinner gates and if a larger key stock is required, we offer a 12" length (4149-K12).



INSTALLATION INSTRUCTIONS:

1. Place the latch bar and retainer on the gate in the desired location. Keep in mind the spacing you have allowed between the gate and the latch post as this will have a direct impact on the latch's horizontal alignment on the gate.
2. Once you have it in the desired location, mark the 4 screw holes in the rosette with a pencil. Move the latch and draw two lines to make an "X" between the pencil marks you just made – this will be the centre of your hole.
3. Drill a 3/4" hole through the gate at the center of the "X" to allow for the key stock to pass through and make the gate operational from either side. Be sure to place a scrap piece of lumber on the back side of the gate while drilling to minimize tear out on the back side.
4. Clean up the edges of the 3/4" hole with a file or chisel to ensure there are no frayed edges to prevent free rotation of the ring latch parts.
5. Put the latch bar and retainer back on the gate, centered over the 3/4" hole and fasten the rosette using 4 of the #8 x 1" wood screws.
6. Lift the latch bar to the desired level (plumb) and install the retainer with 2 of the #8 x 1.5" wood screws.
7. Cut the key stock to a length 7/8" longer than the overall thickness of the gate it will pass through. Then position it through the gate into the square hole in the back of the latch bar rosette.
8. Place the single rosette and ring over the key stock on the back side of the gate and fasten with 4 of the #8 x 1" screws provided. Be sure in this step to center the rosette over the hole to ensure free rotation of all parts and prevent binding. Test that turning the rings allows the latch bar to rise and fall freely at this point.
9. Once you have the latch installed on the gate you can put the gate in the closed position inside the opening and mark the placement of the base plate for the adjustable catch (striker) on the latch post. You can do this by placing the adjustable catch assembly on the post ensuring the latch bar is positioned properly in the catch/striker. Mark the top and side of the base plate with a pencil to ensure you can install it in the same place once you have the gate pushed out of the way.

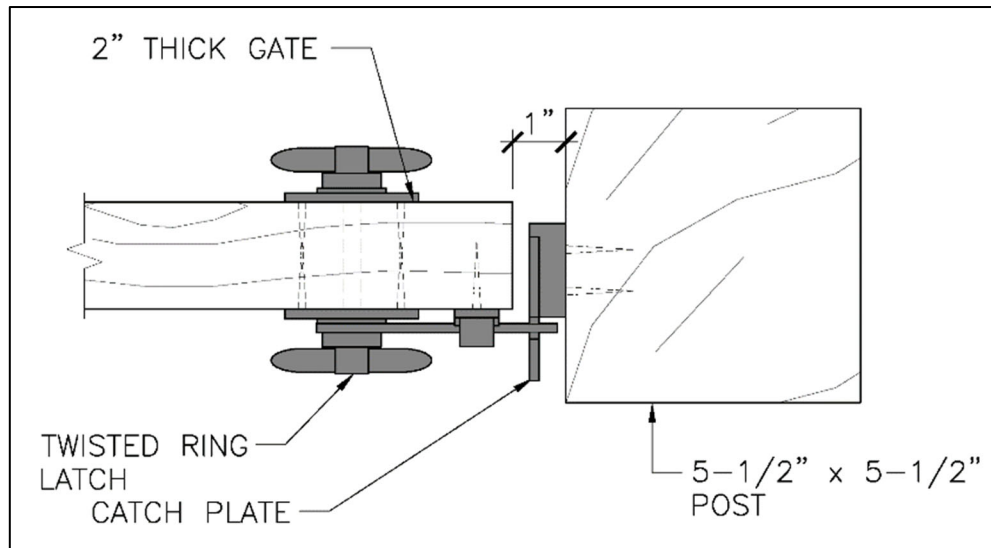
Mark the top and side of the adjustable catch (striker).



10. Once you have determined the desired location, dismantle the catch from the adjustable base plate and fasten the base plate to the post on your marks using only two of the 2" x #12 screws in opposing corners. **(by using only two in opposing corners for the initial install you will allow for re-installation of the base plate at a later date without the chance of the screws finding the same holes should your posts heave beyond the basic adjustment of the striker)**
11. Install the catch (striker) on the installed base by using the supplied machine screws.
12. Make sure you are happy with the operation of the latch at this point by opening and closing the gate a bunch of times. If you are satisfied with the operation move on to install the supplied gate stop.
13. With the gate in the closed position and the latch bar centered front to back in the striker, you can now install the gate stop behind the gate to stop the gate when it closes.

INSTALLING GATE STOP (1400-015SP) - Included with this Latch:

The use of a gate stop on the latch post is recommended when using a gate spring, cannonball gate closer, or in cases where the gate is subject to high winds. Close the gate with the horizontal bar on the latch just touching the catch on the fence post. With the gate in this position install the gate stop on latch post ensuring the front of the stop fits snug against the gate in this closed position without putting any stress on the latch bar. FAILURE TO INSTALL A GATE STOP VOIDS ANY WARRANTY THIS PRODUCT MAY CARRY.



INSTALLATION DETAIL

Snug Cottage Hardware

London, Ontario, Canada and Marysville, Michigan, USA
 Phone (519) 473-2794 Fax (519) 474-3337
www.snugcottagehardware.com