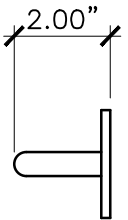
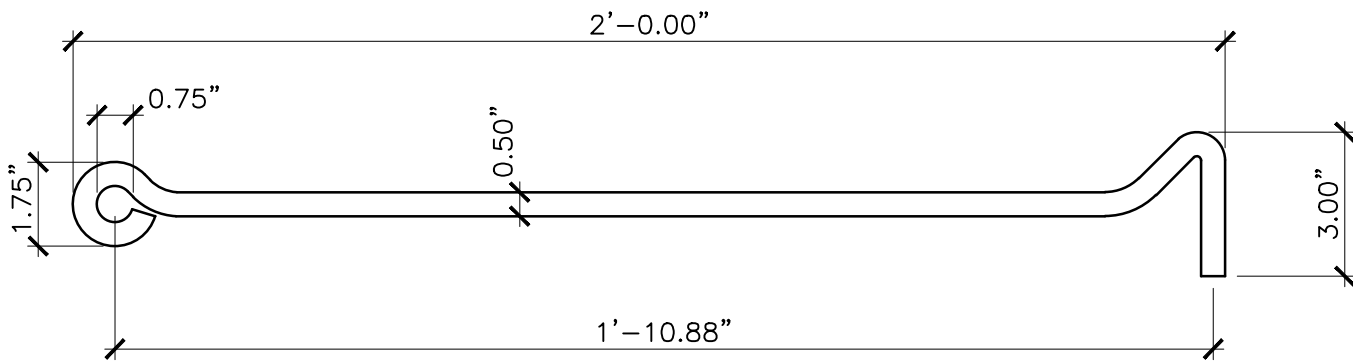
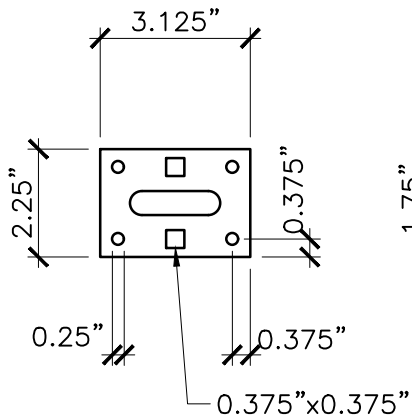


FRONT ASSEMBLED



TOP ASSEMBLED



FRONT

<p>PROPERTY OF:</p>  <p>SNUG COTTAGE <i>Est. 1995</i> HARDWARE</p>	<p>PRODUCT DESCRIPTION:</p> <p>24" CABIN HOOK AND GATE HOLDBACK</p> <p>ALL DIMENSIONS ±0.125"</p>	<p>PART NUMBER:</p> <p>4270-24</p>
---	---	------------------------------------