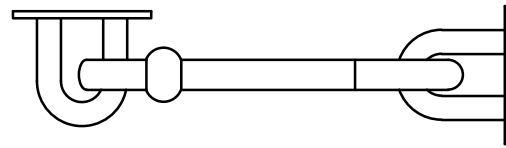
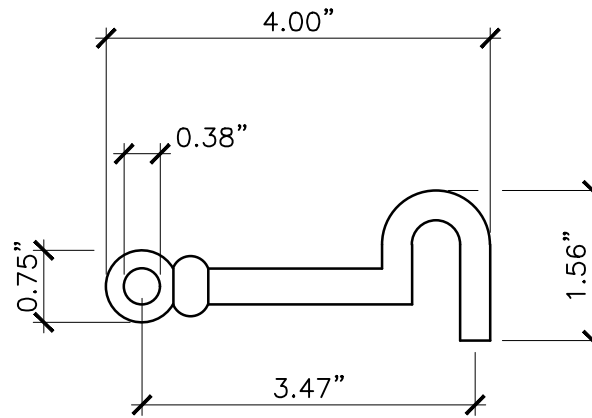
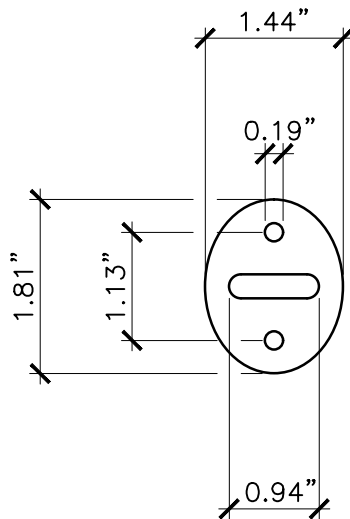


FRONT ASSEMBLED



TOP ASSEMBLED



FRONT



<p>PROPERTY OF:</p>  <p><b>SNUG COTTAGE</b> <i>Est. 1995</i> <b>HARDWARE</b></p>	<p>PRODUCT DESCRIPTION:</p> <p>4" CABIN HOOK — CAST IRON</p> <p>ALL DIMENSIONS <math>\pm 0.125"</math></p>	<p>PART NUMBER:</p> <p>4270-04</p>
---	--	------------------------------------