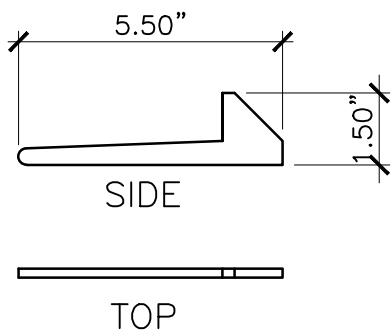
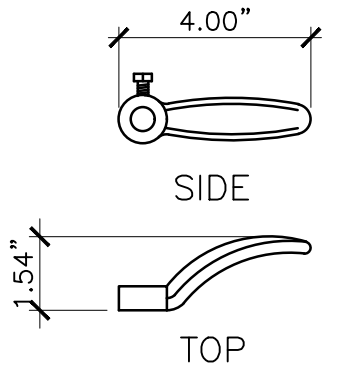


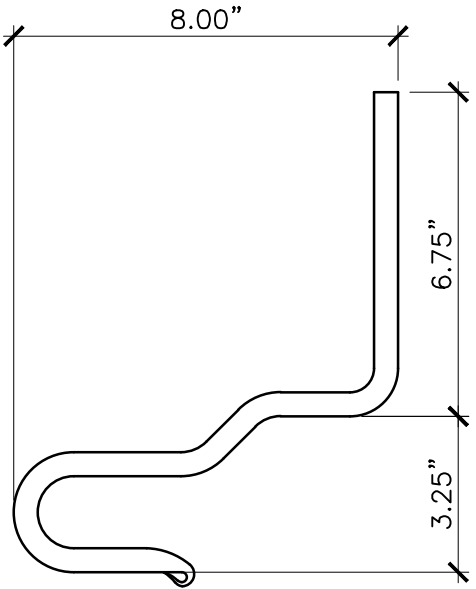
LOCKABLE STRIKER



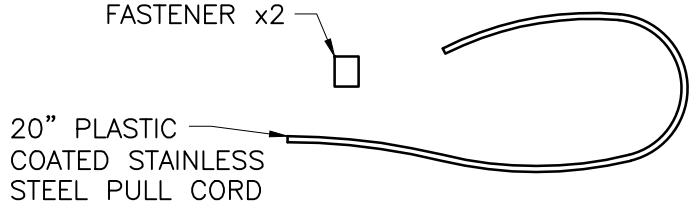
STRIKER



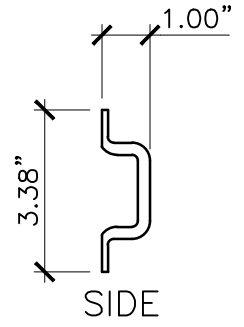
HANDLE



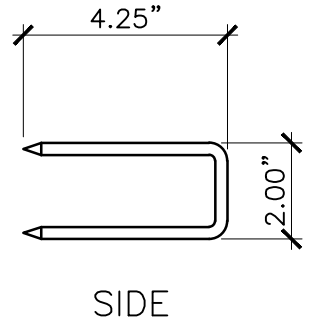
LATCH BAR



PULL CORD AND FASTENERS



SCREW IN STAPLE



HAMMER IN STAPLE

BAR RETAINER

<p>PROPERTY OF:</p> 	<p>PRODUCT DESCRIPTION:</p> <p>CAPE COD LATCH</p> <p>ALL DIMENSIONS ±0.125"</p>	<p>PART NUMBER:</p> <p>4900</p>
---	---	---------------------------------