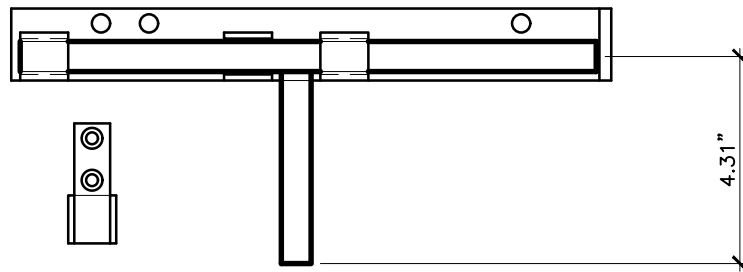
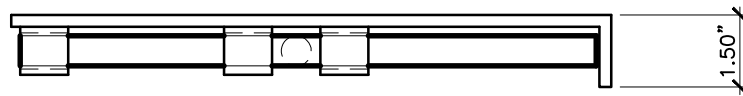


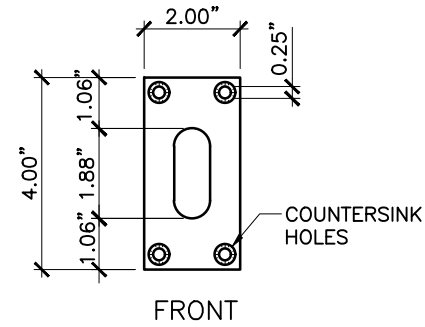
FRONT — SLIDE BOLT EXTENDED



FRONT — SLIDE BOLT PULLED IN



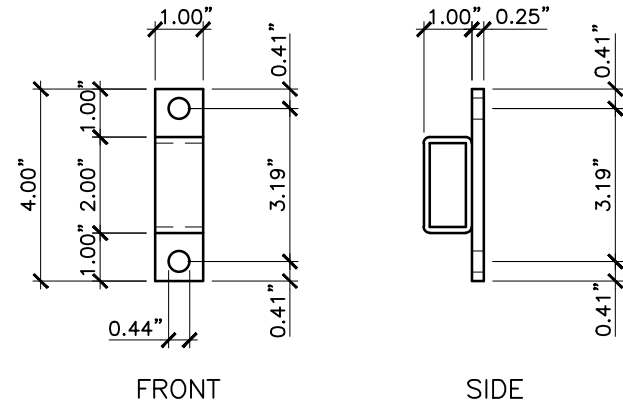
SIDE VIEW — SLIDE BOLT PULLED IN



FRONT

SIDE

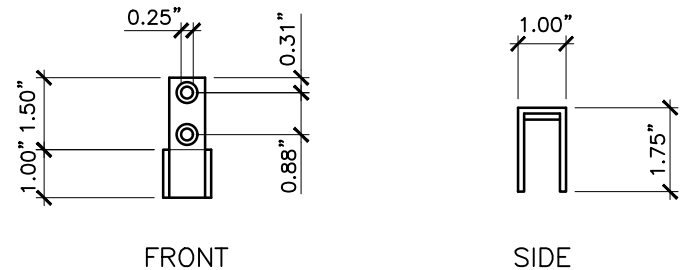
FOR SETBACK MOUNT INSTALLATION



FRONT

SIDE

FOR FLUSH MOUNT INSTALLATION



FRONT

SIDE

LOCKING RETAINER

<p>PROPERTY OF:</p> 	<p>PRODUCT DESCRIPTION:</p> <p>12" SLIDE BOLT LATCH</p> <p>ALL DIMENSIONS ±0.125"</p>	<p>PART NUMBER:</p> <p>5002-L12</p>
---------------------------------------------------------------------------------------------------------	---------------------------------------------------------------------------------------	-------------------------------------