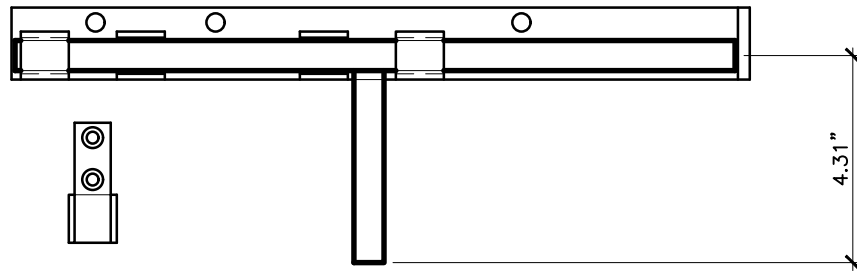
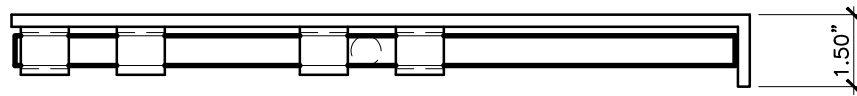


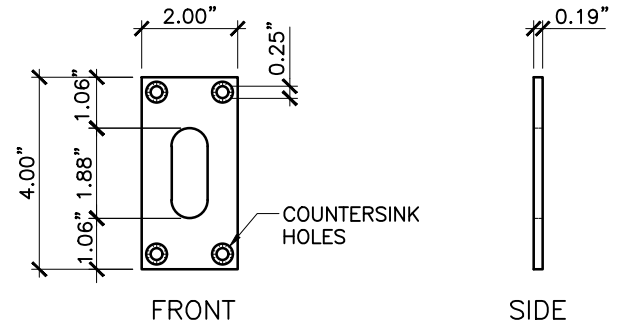
FRONT – SLIDE BOLT EXTENDED



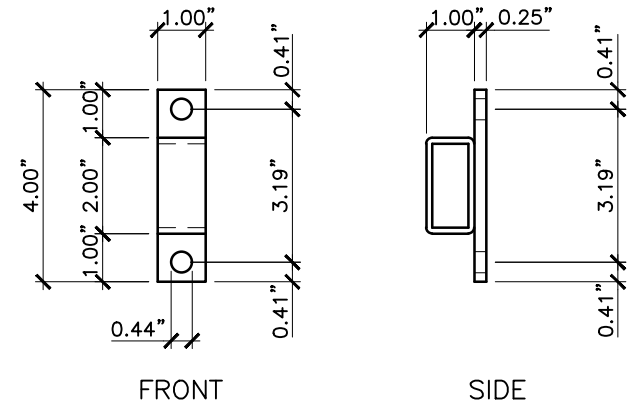
FRONT – SLIDE BOLT PULLED IN



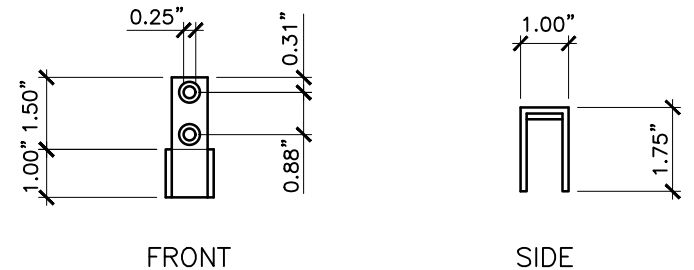
SIDE VIEW – SLIDE BOLT PULLED IN



FOR SETBACK MOUNT INSTALLATION



FOR FLUSH MOUNT INSTALLATION



LOCKING RETAINER

<p>PROPERTY OF:</p> 	<p>PRODUCT DESCRIPTION:</p> <p>15" SLIDE BOLT LATCH</p> <p>ALL DIMENSIONS ±0.125"</p>	<p>PART NUMBER:</p> <p>5002-L15</p>
---	---	-------------------------------------