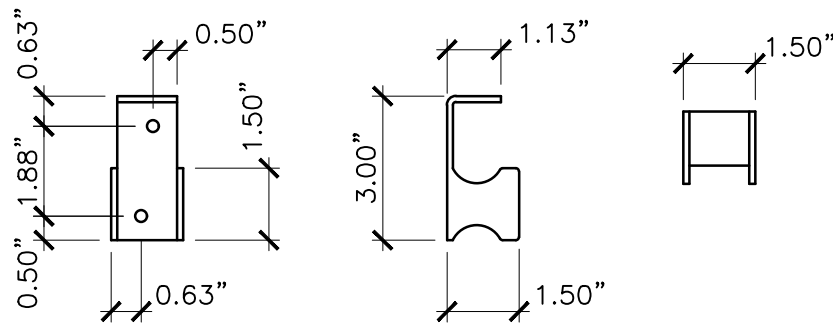
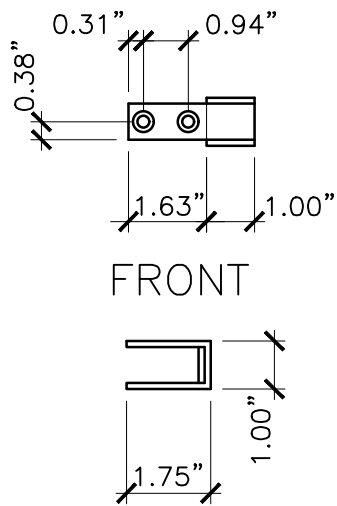


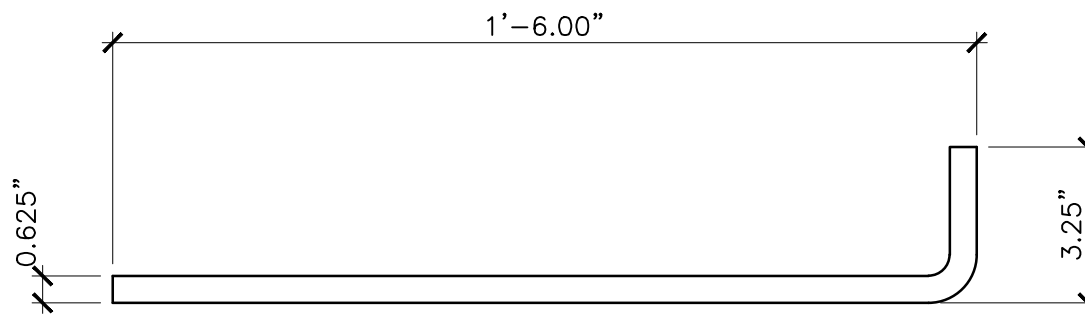
FRONT TOP
GUIDE
BRACKET X2



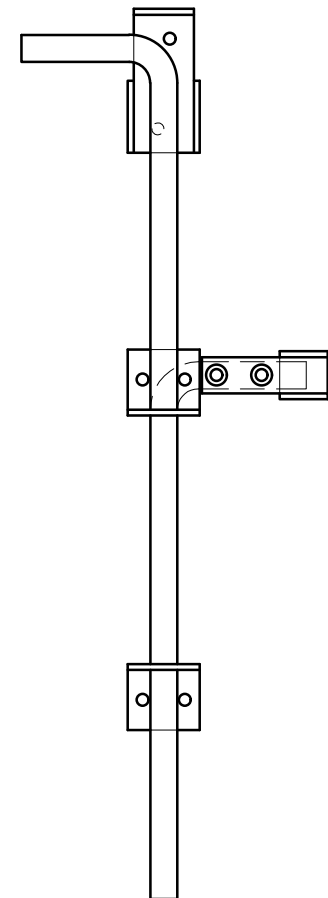
FRONT SIDE TOP
RETAINER



FRONT
SIDE
LOCKING
BRACKET



FRONT
BOLT



FRONT
ASSEMBLED

<p>PROPERTY OF:</p>  <p>SNUG COTTAGE <i>Est. 1995</i> HARDWARE</p>	<p>PRODUCT DESCRIPTION:</p> <p>18" CONTEMPORARY CANE BOLT</p> <p>ALL DIMENSIONS $\pm 0.125"$</p>	<p>PART NUMBER:</p> <p>6096</p>
---	---	---------------------------------