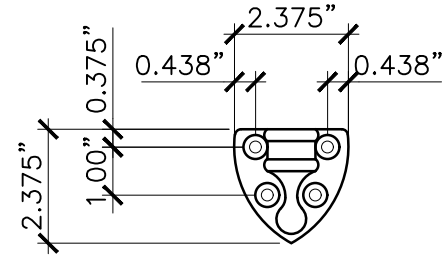
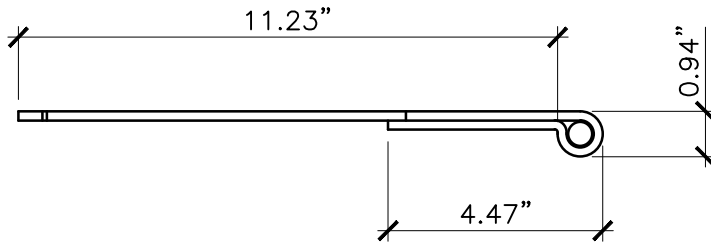


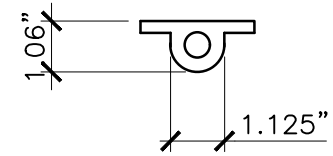
FRONT



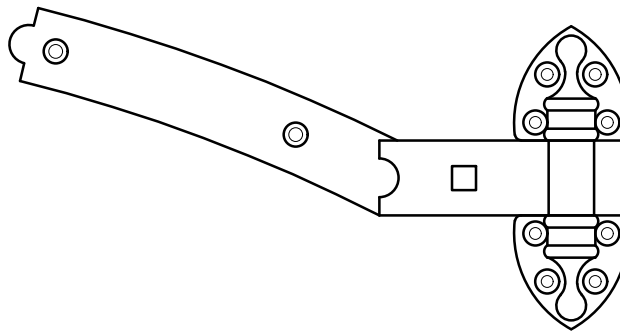
FRONT



TOP



TOP



ASSEMBLED

<p>PROPERTY OF:</p> 	<p>PRODUCT DESCRIPTION:</p> <p>12" CURVED OLD-FASHIONED HINGE LEFT HAND</p> <p>ALL DIMENSIONS <math>\pm 0.125"</math></p>	<p>PART NUMBER:</p> <p>8292</p>
---	---	---------------------------------