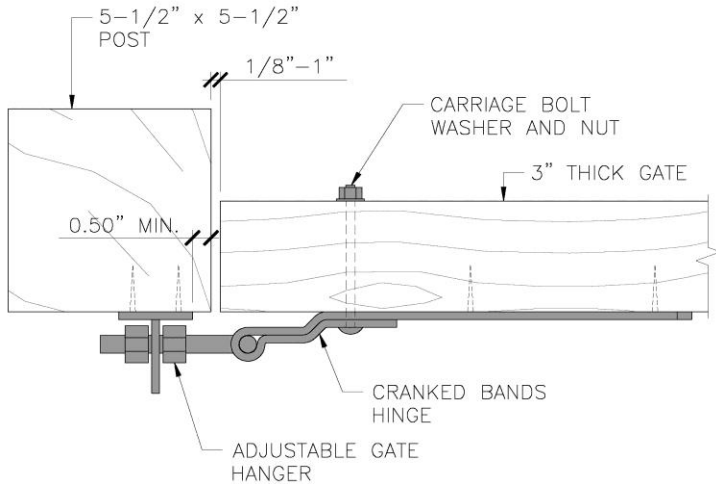


ADJUSTABLE CRANKED BANDS WITH PINS FLUSH MOUNTING INSTRUCTIONS (ITEMS 8295-12A2 & 12ASP)

Before you begin installation, please consult your local building code and/or pool code to ensure this product is suitable for your application. Periodic maintenance and testing to ensure proper operation is recommended.



Fasten the two straps to the door or gate at the desired location making sure they are square to the hinge side of the door or gate. Ensure that the straps are mounted the correct distance to align with the adjustable pins on the rectangular plates. (Tip: because the placement of these hinges is so adjustable, pay close attention to the relationship between the pin and strap placement as it will affect your operation. Keep in mind that you need to leave a little gap between the gate and the post to allow for potential adjustment later) Install 2 of the 2" x #12 wood screws in each strap and drill a 3/8" hole through the square hole in the hinge strap. This hole goes all the way through your gate or door and is used for a 3/8" carriage bolt which once installed will strengthen the

installation.

Please note that while screws are supplied with the hinges, we do not supply the carriage bolts needed as the length requirement varies with different installation applications. We suggest the use of hot dipped galvanized or stainless steel carriage bolts for this purpose. The heads of the carriage bolts can be colour matched to our black product by using our touch-up paint (Item# 1200-10B).

One way of making sure the pin placement matches up perfectly with the straps is to place and shim the gate or door into its final desired position and install the pins while it is in place. This will allow you to make any minor adjustments needed prior to installing the screws. The rectangular pin base plates should be mounted no less than 1/4" from the edge of the gate post or door jamb. Fasten them to the gate post or jamb using two of the 2" x #12 wood screws supplied in each on opposing corners. (Tip: We only put in two screws in opposing corners to allow for corrections if needed later on.)

Now that everything is in place you can tighten the adjustment nuts using two wrenches making sure your placement remains correct. Once they are tight you should test for accurate operation and if all is well finish installing the rest of the fasteners.

Note:

1. To prevent the gate from being lifted off the pins you can install the top one with the pin facing downward after the gate has been hung and aligned on the bottom pin.
2. This style of hinge is not suitable for jamb mounting applications.

SNUG COTTAGE HARDWARE

Marysville, Michigan, USA and London, Ontario, Canada

Phone: (519) 473-2794 Fax: (519) 474-3337

www.snugcottagehardware.com