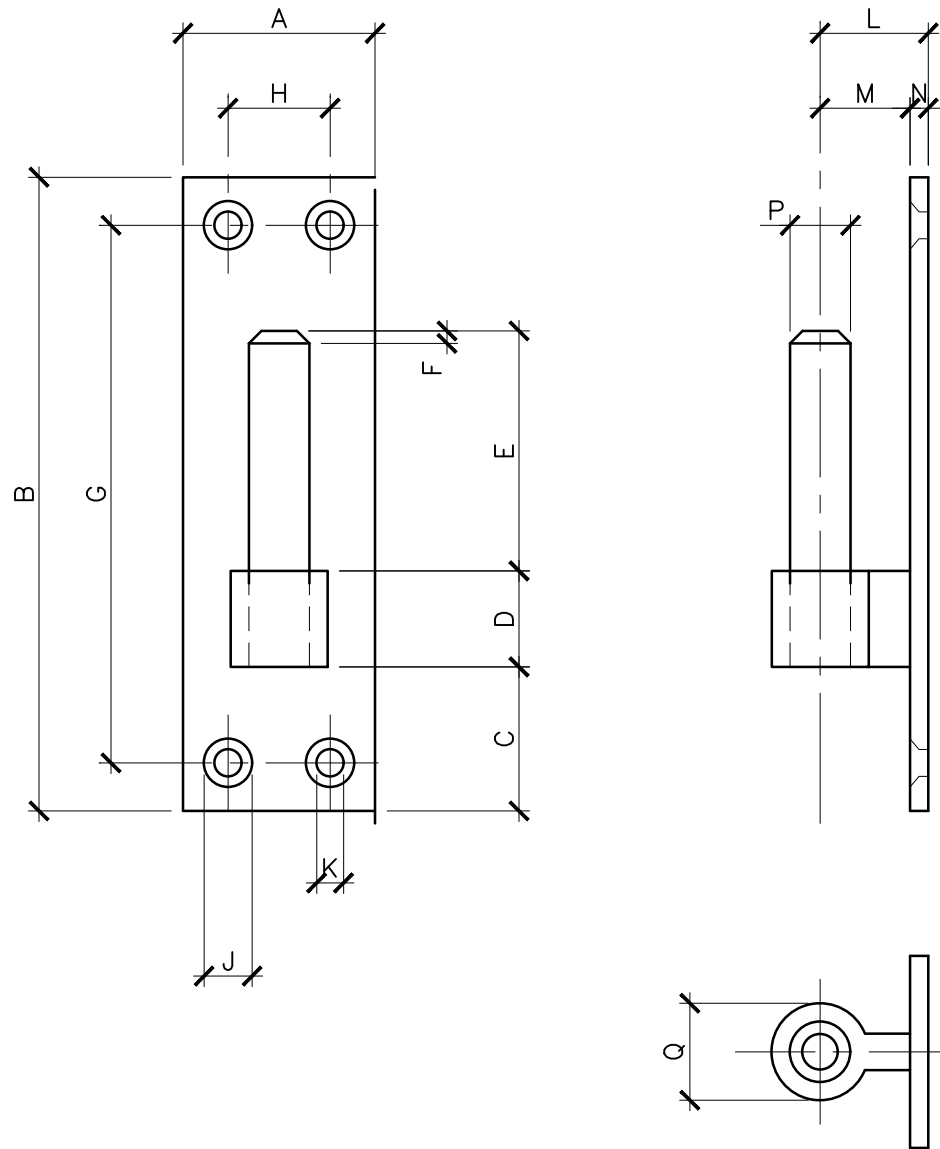


<p>PROPERTY OF:</p>  <p>SNUG COTTAGE <i>Est. 1995</i> HARDWARE</p>	<p>PRODUCT DESCRIPTION:</p> <p>CRANK BAND STRAP HINGE SPEC SHEET</p> <p>SEE ACCOMPANYING DIMENSIONS AND SIZE SHEET</p> <p>ALL DIMENSIONS $\pm 0.125"$</p>	<p>PART NUMBER:</p> <p>8295</p>
---	---	--



PROPERTY OF:



PRODUCT DESCRIPTION:

HOOK ON PLATE

SEE ACCOMPANYING DIMENSIONS AND SIZE SHEET
ALL DIMENSIONS $\pm 0.125"$

PART NUMBER:

8295



DIMENSIONS AND SIZES



CRANKED STRAP HINGES (8295)

STRAP LENGTH (INCHES)	DIMENSION (INCHES)															
	A	B	C	D	E	F	G	H	J1	J2	K	L	M	N	O	P
7 8295-072/SP	7.5	1.5	1.5	4	5.875	N/A	N/A	N/A	0.25	0.5	2.375	7/16" for 3/8" Carriage Bolt	0.375	0.1875	1	0.5
12 8295-122/SP	12.5	1.5	1.5	4	5.875	10.875	N/A	N/A	0.25	0.5	2.375	7/16" for 3/8" Carriage Bolt	0.375	0.1875	1	0.5
18 8295-182-SP	18.5	2	2.25	4.625	6.5	11.5	16.5	N/A	0.25	0.5	3	9/16" for 1/2" Carriage Bolt	0.5	0.1875	1.125	0.625
24 8295-242/SP	24.5	2.25	2.375	4.625	6.875	14.875	22.125	N/A	0.25	0.5	3	9/16" for 1/2" Carriage Bolt	0.5	0.1875	1.1875	0.625
36 8295-362/SP	36.5	2.25	2.375	5.25	9.75	18.125	26.25	34.25	0.25	0.5	3.75	9/16" for 1/2" Carriage Bolt	0.5	0.1875	1.1875	0.75



CRANKED BAND PIN ON PLATE (8295)

STRAP LENGTH (INCHES)	DIMENSION (INCHES)															
	A	B	C	D	E	F	G	H	J	K	L	M	N	P	Q	
7 8295-072/SP	1.5	5.25	1.5	0.75	2.125	0.0625	3.875	0.875	0.5	0.25	1	0.8125	0.1875	0.5	0.875	
12 8295-122/SP	1.5	5.25	1.5	0.75	2.125	0.0625	3.875	0.875	0.5	0.25	1	0.8125	0.1875	0.5	0.875	
18 8295-182-SP	2	6.5	1.5	1	2.5	0.0625	5.375	1.125	0.5	0.25	1.125	1	0.1875	0.625	1	
24 8295-242/SP	2.25	6.5	1.75	1	2.625	0.0625	5.375	1.375	0.5	0.25	1.125	1	0.1875	0.625	1	
36 8295-362/SP	2.25	7.875	1.75	1	2.5	0.125	6.75	1.375	0.5	0.25	1.25	1	0.1875	0.75	1.125	

* DIMENSIONS ARE +/- 0.125 INCHES.

* N/A = NOT APPLICABLE FOR THIS SIZE.