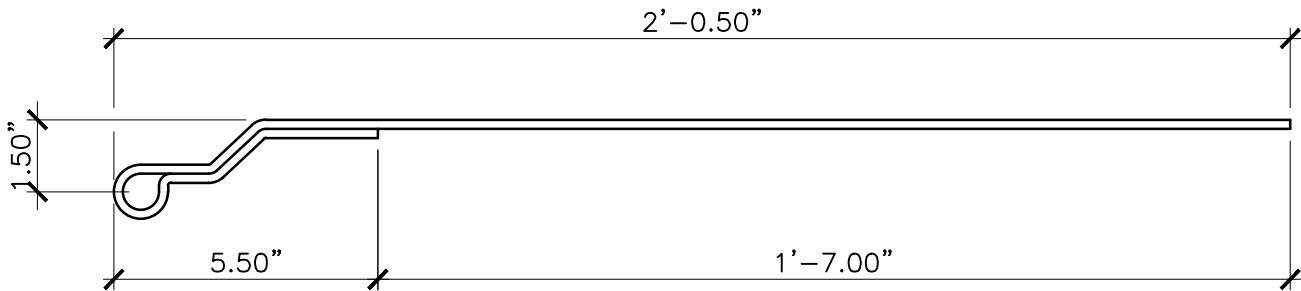
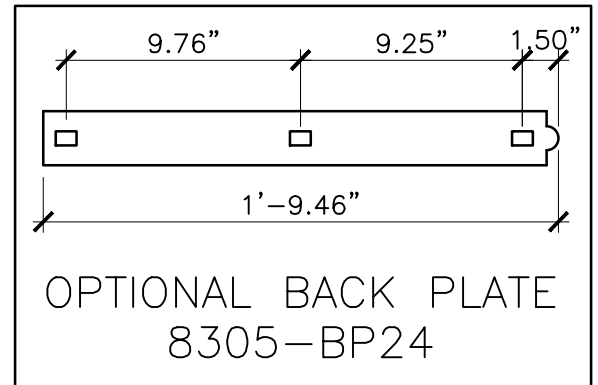


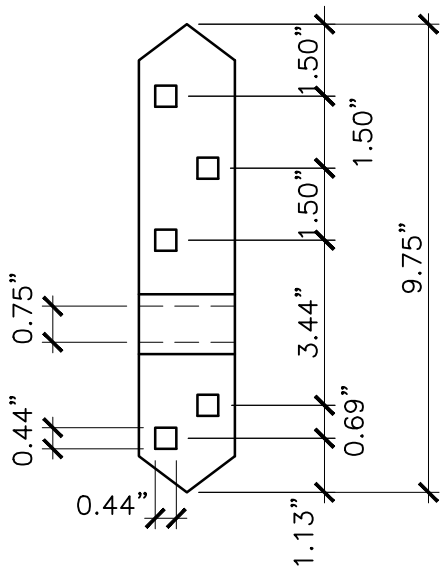
SIDE



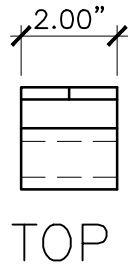
TOP



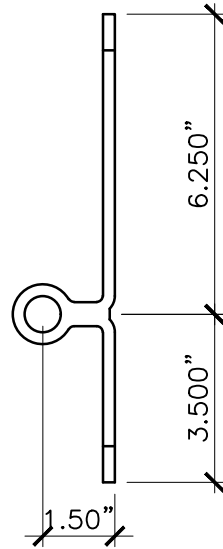
<p>PROPERTY OF:</p> 	<p>PRODUCT DESCRIPTION:</p> <p>24" HEAVY DUTY CRANKED STRAP WITH 3/4" EYE</p> <p>ALL DIMENSIONS <math>\pm 0.125"</math></p>	<p>PART NUMBER:</p> <p>8305</p>
---	---	---------------------------------



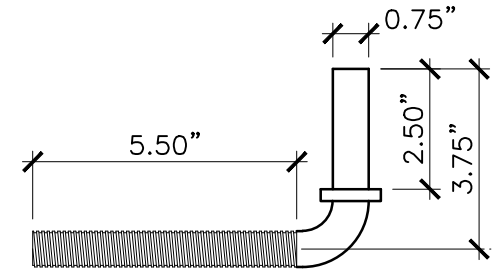
FRONT



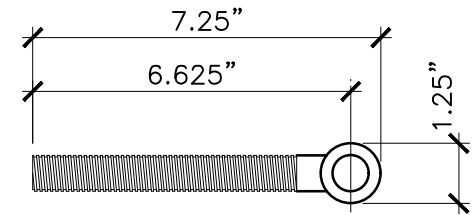
TOP



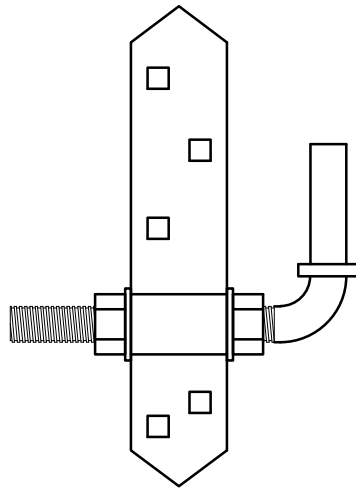
SIDE



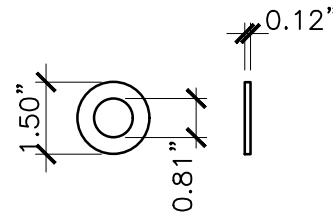
SIDE



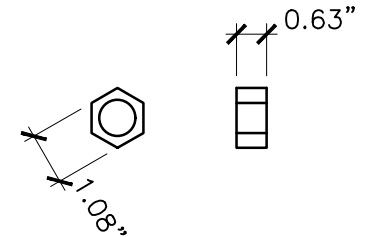
TOP



FRONT ASSEMBLED



WASHER X2



NUT X2

PROPERTY OF:



PRODUCT DESCRIPTION:

ADJUSTABLE HINGE MOUNT WITH 6" THREADED PIN

ALL DIMENSIONS  $\pm 0.125"$

PART NUMBER:

8256