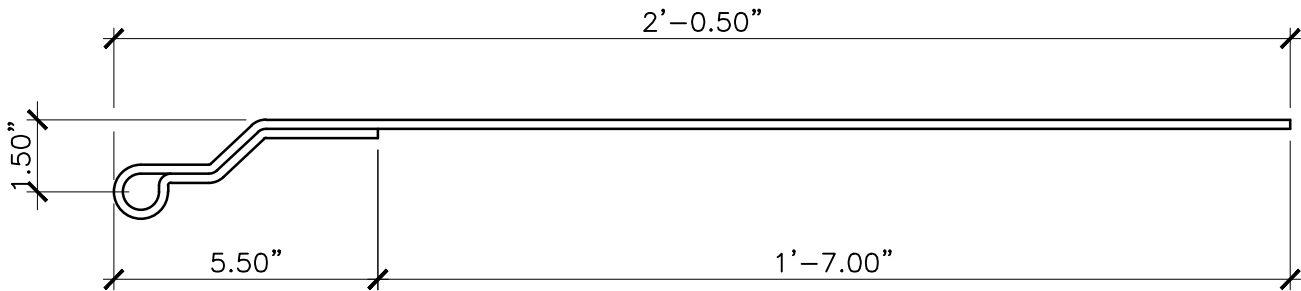
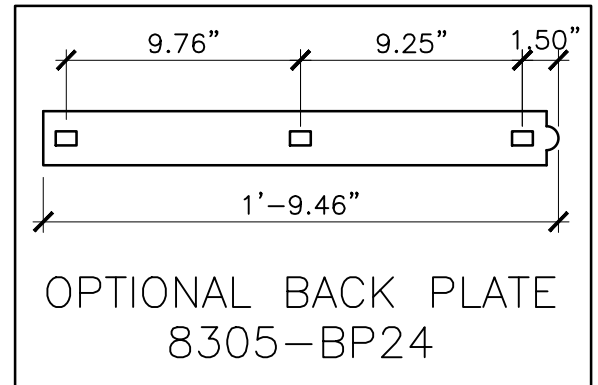


SIDE



TOP



<p>PROPERTY OF:</p> 	<p>PRODUCT DESCRIPTION:</p> <p>24" HEAVY DUTY CRANKED STRAP WITH 3/4" EYE</p> <p>ALL DIMENSIONS ±0.125"</p>	<p>PART NUMBER:</p> <p>8305</p>
---	---	---------------------------------