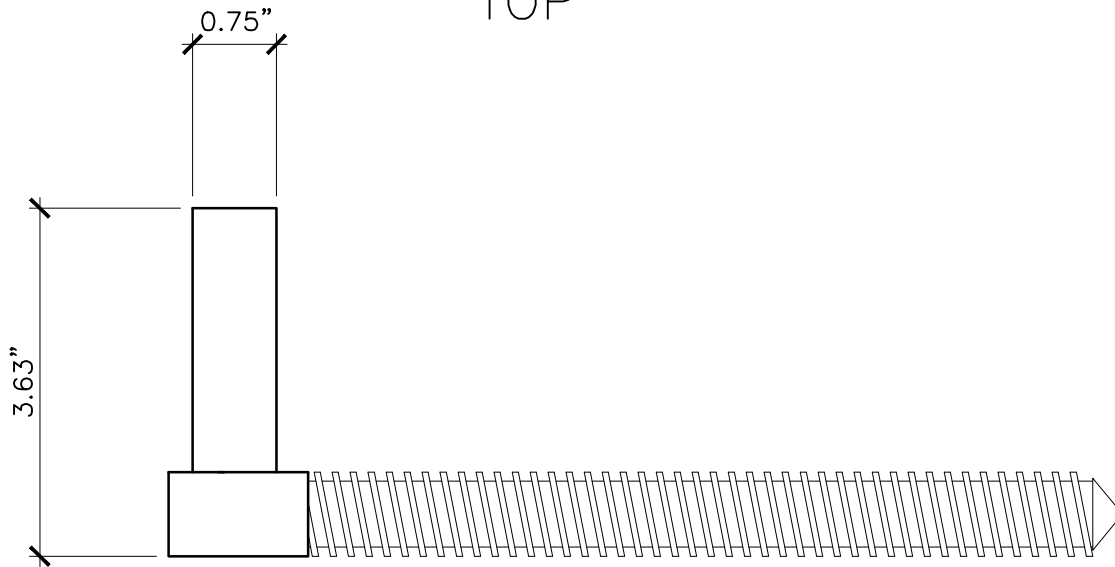
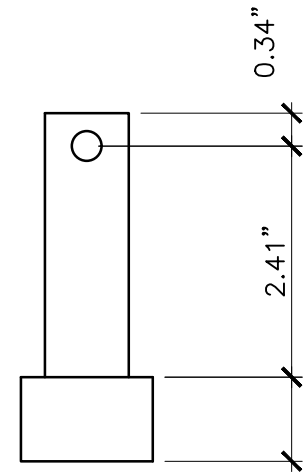


TOP



SIDE



FRONT

<p>PROPERTY OF:</p> 	<p>PRODUCT DESCRIPTION:</p> <p>PIN TO SCREW</p> <p>ALL DIMENSIONS $\pm 0.125"$</p>	<p>PART NUMBER:</p> <p>8308</p>
---	---	---------------------------------