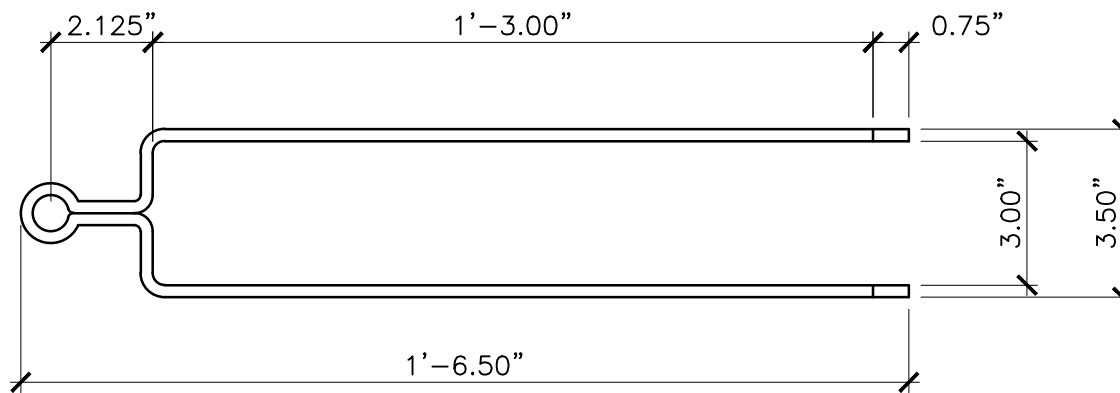
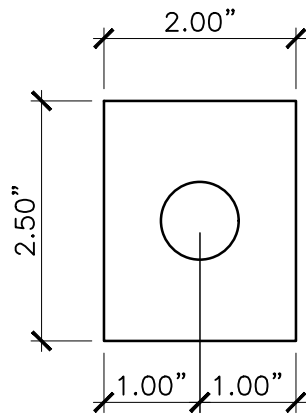
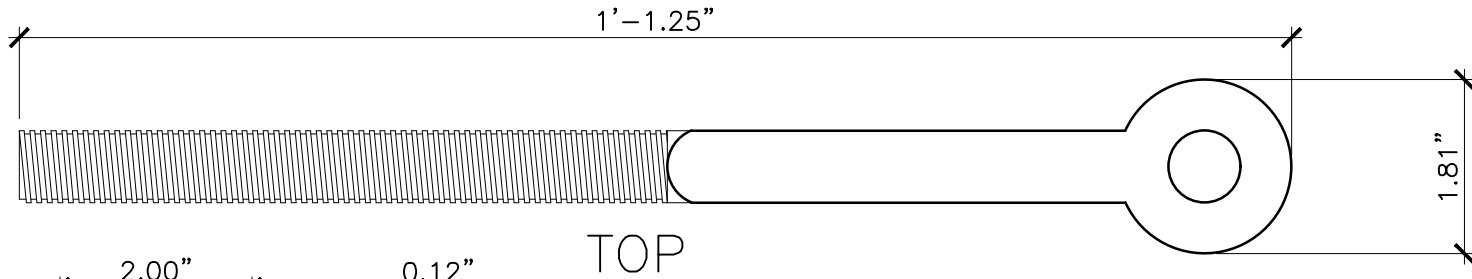
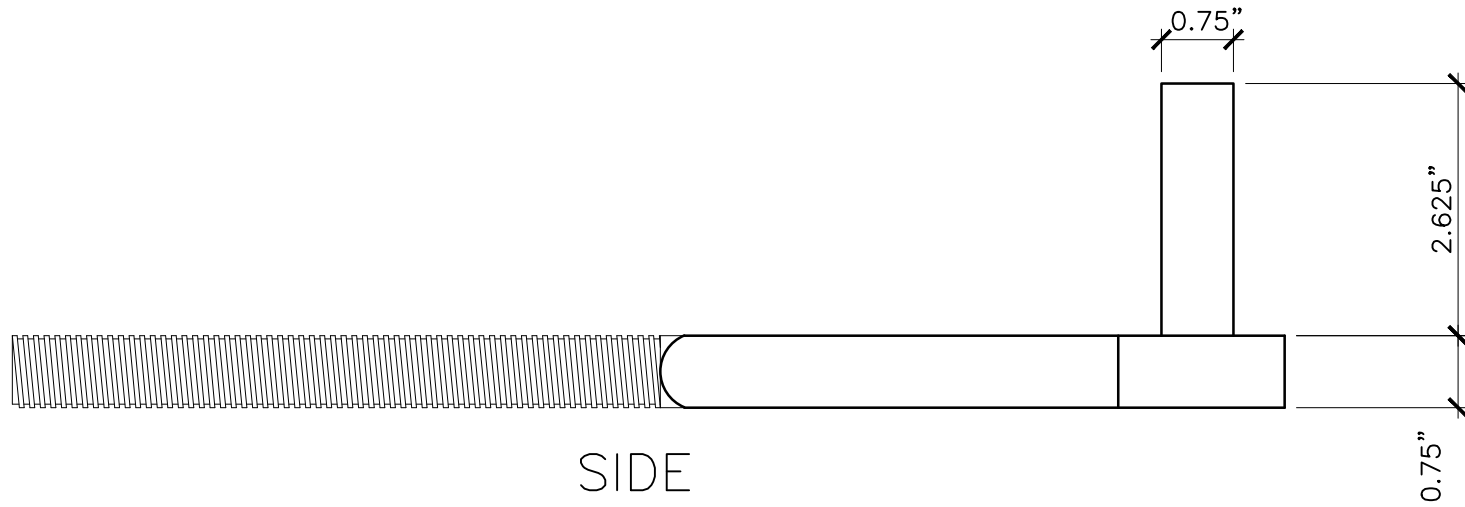


SIDE

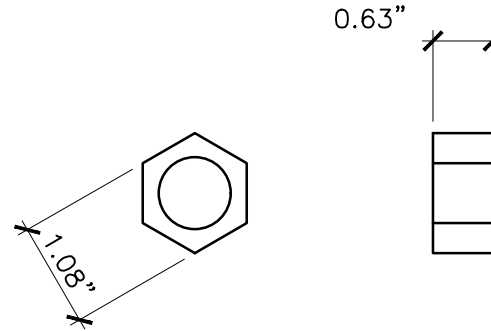
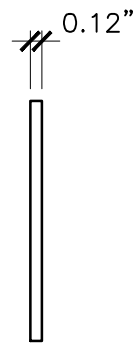


TOP

PROPERTY OF: 	PRODUCT DESCRIPTION: 18" DOUBLE STRAPS WITH CENTRAL EYE (3" GAP) ALL DIMENSIONS ±0.125"	PART NUMBER: 8312
-----------------------------------------------------------------------------------------------------	-----------------------------------------------------------------------------------------------	----------------------



PLATE/WASHER



NUT

PROPERTY OF:



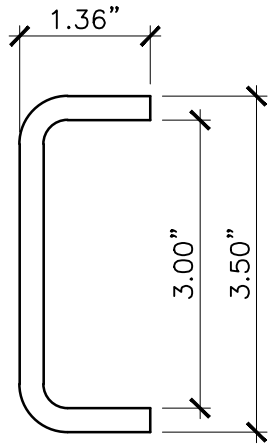
PRODUCT DESCRIPTION:

13" SQUARE SHOULDERED GATE PIN

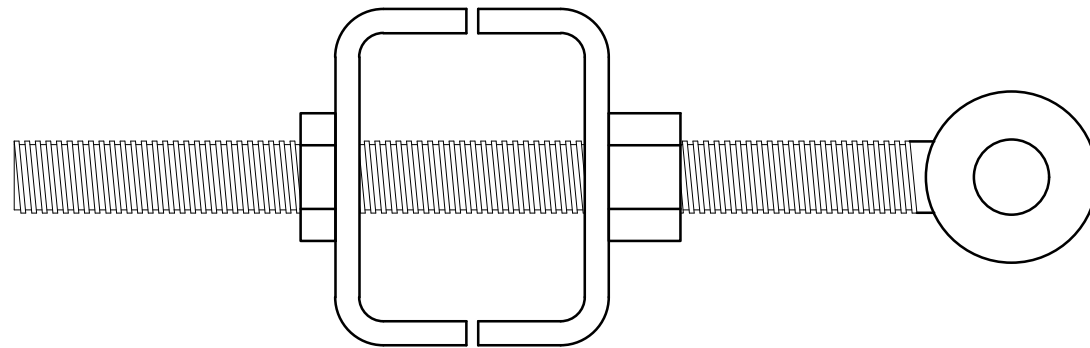
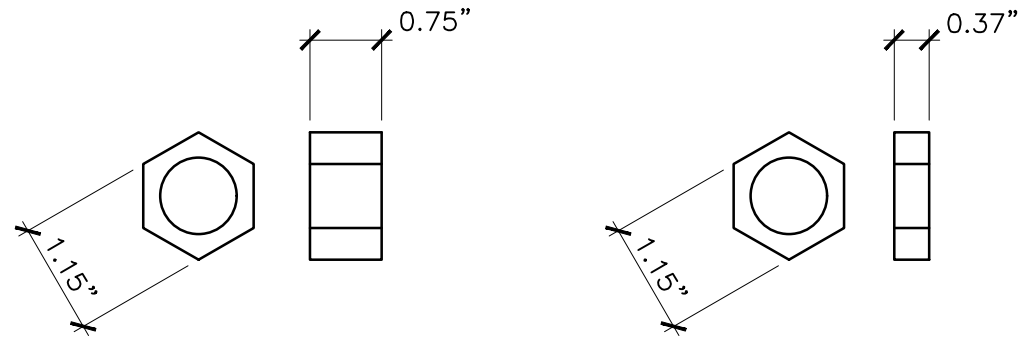
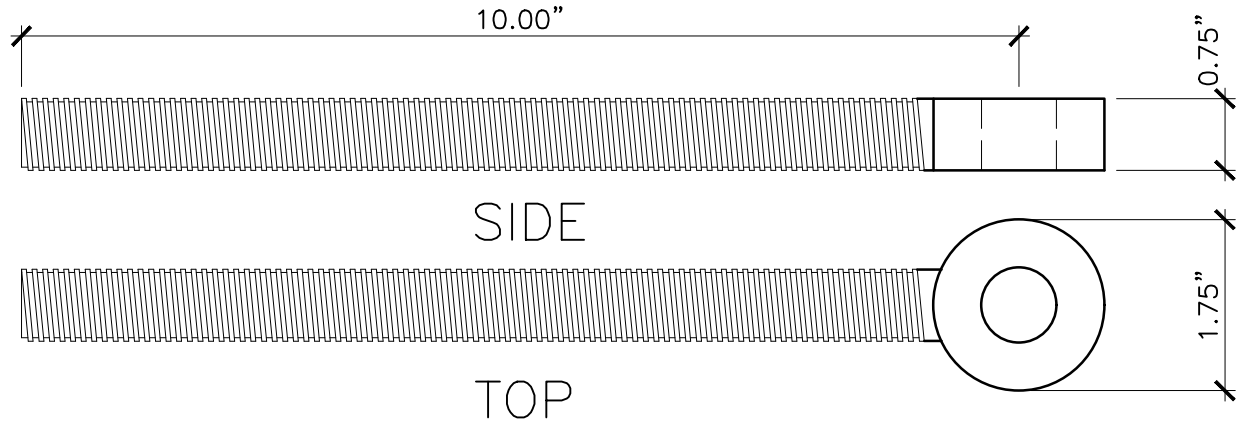
ALL DIMENSIONS  $\pm 0.125"$

PART NUMBER:

8317



CLAMP X2



TOP ASSEMBLED

PROPERTY OF: 	PRODUCT DESCRIPTION: ADJUSTABLE BOTTOM FITTING ALL DIMENSIONS $\pm 0.125"$	PART NUMBER: 8250
-----------------------------------------------------------------------------------------------------	----------------------------------------------------------------------------------	----------------------