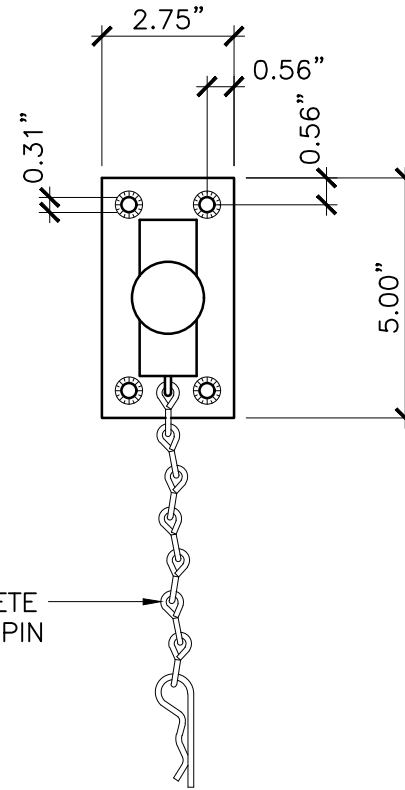
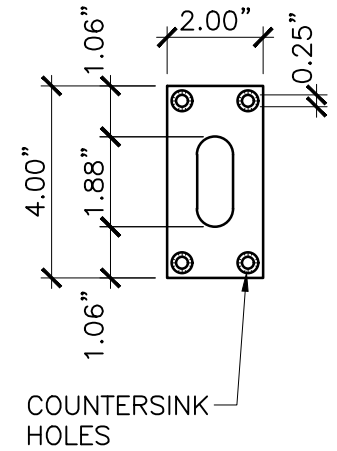


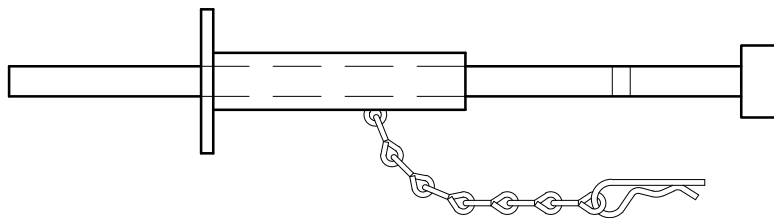
FRONT



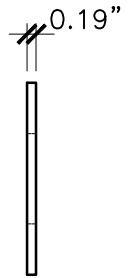
CHAIN COMPLETE WITH COTTER PIN



FRONT



TOP



SIDE

ESCUTCHEON
PLATE
5000-02

<p>PROPERTY OF:</p> 	<p>PRODUCT DESCRIPTION:</p> <p>IRISH GATE LATCH WITH ESCUTCHEON PLATE</p> <p>ALL DIMENSIONS $\pm 0.125"$</p>	<p>PART NUMBER:</p> <p>8328</p>
---	---	---------------------------------