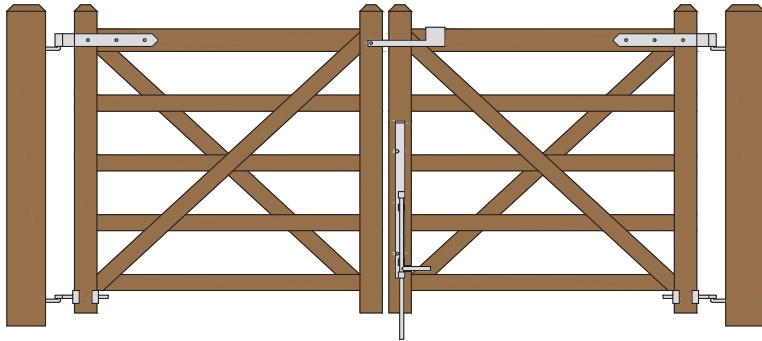




# X RAIL GATE PLAN

## Double Gate Configuration

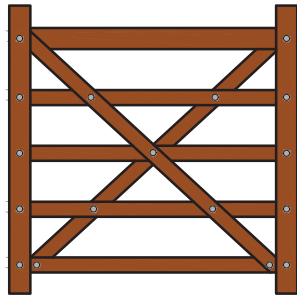
Two 4' wide by 48" tall gates - hung between the posts - using Central Eye Hinges (Product Code #8312).



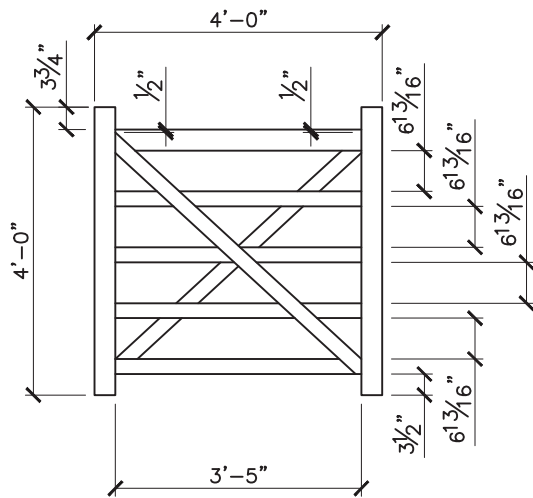
Distance between gate and hinge post	A
Width of Left Gate	B
Distance between gates	C
Width of Right Gate	D
Distance between gate and hinge post	E
Total distance between posts	F

HARDWARE REQUIRED								
Finish Options Available	Galvanized Finish	Black Powder Coat over Galvanized Finish	<b>Central Eye Hinge Advantages</b> Opens both ways 100 degrees. Incredible amount of adjustment. Easy operation. Very strong.					
Plan Specified Required Hardware								
<b>Both Sets Include:</b> <i>All fasteners are included with hardware.</i>	2 of 8312-S122	2 of 8312-S12P						
	two 12 inch double strap (8312-422 or 8312-42SP)							
	two adjustable bottom gate fitting (8250-002 or 8250-00P)							
	four 12" adjustable gate pin (8801-122 or 8801-12P)							
Vertical Cane Bolt(s)	1 of 5000-242	1 of 5000-24SP	<b>Dimensions (feet and inches)</b>					
Central Latch Options			A	B	C	D	E	F
Throw Over Gate Loop(shown)	4200-032	4200-03SP	4.5"	4'	1"	4'	4.5"	8' - 10"
Slide Bolt Latch	5002-L122	5002-L12SP	4.5"	4'	1"	4'	4.5"	8' - 10"
Lumber Required								
Posts	2 of 8' x 6" x 6" (usually dressed out at 5.5" x 5.5")		Rails, Stiles (uprights) and Diagonals made from full 1" thick lumber (commonly sold as decking lumber) or 1" rough cut lumber (4/4).					
Rails	6 of 8' x 1" x 5.5"							
Stiles	4 of 8' x 1" x 5.5"							
Diagonals	2 of 8' x 1" x 5.5"							
Filler Blocks	use off cuts from above							
Fasteners Required for Gate Construction								
2 of <b>FP-X Rail</b> - Fastener Pack for "X" Rail Gate Build (Each pack includes 40 of 1.75" wood screws, 16 of 3.5" and 6 of 2.5" HDG carriage bolts, nuts and washers)								

Download includes this materials list, component cutting and layout sheet.  
 For a complete listing of our Free Gate Plans, please visit [snugcottagehardware.com](http://snugcottagehardware.com)



4' 'X' RAIL GATE



GATE DIMENSIONS

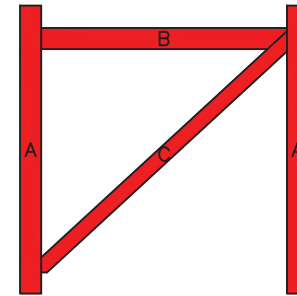
PROPERTY OF:



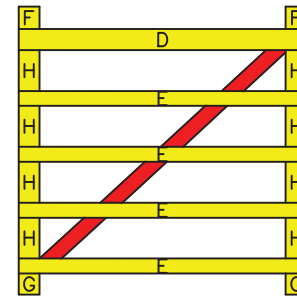
PRODUCT DESCRIPTION:

4' 'X' RAIL GATE

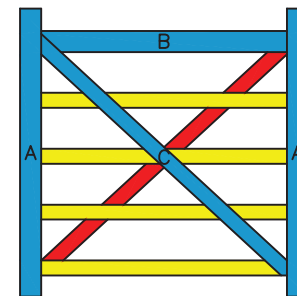
ALL DIMENSIONS  $\pm 0.125"$



FIRST LAYER

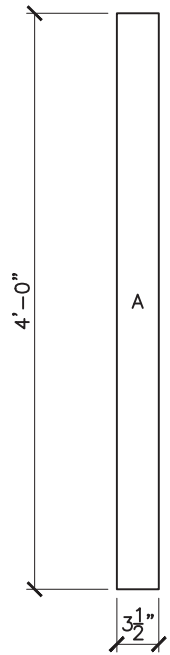


SECOND LAYER

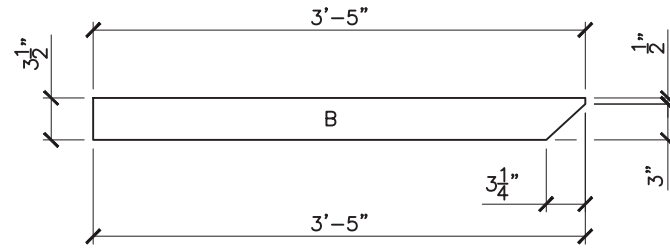


THIRD LAYER

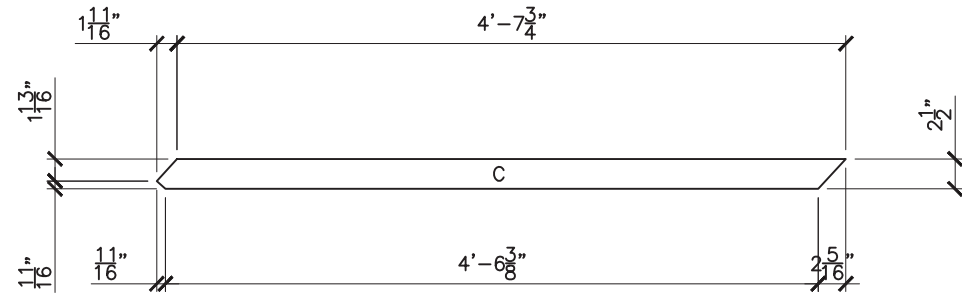
BUILDING STEPS



4-1" BOARDS

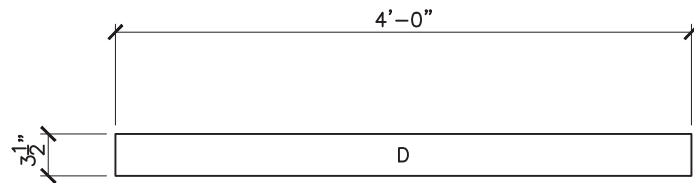


2-1" BOARDS

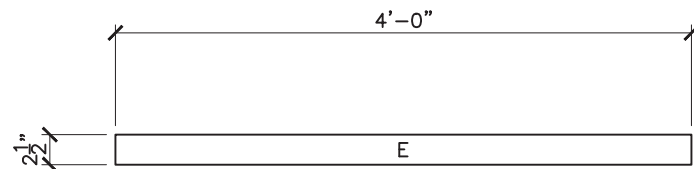


2-1" BOARDS

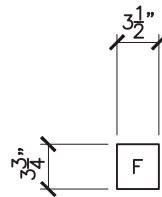
FIRST AND THIRD LAYER COMPONENTS



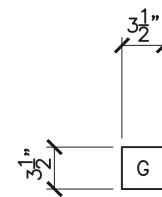
1-1" BOARD



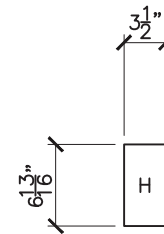
4-1" BOARDS



2-1" BOARDS



2-1" BOARD



8-1" BOARDS

SECOND LAYER COMPONENTS

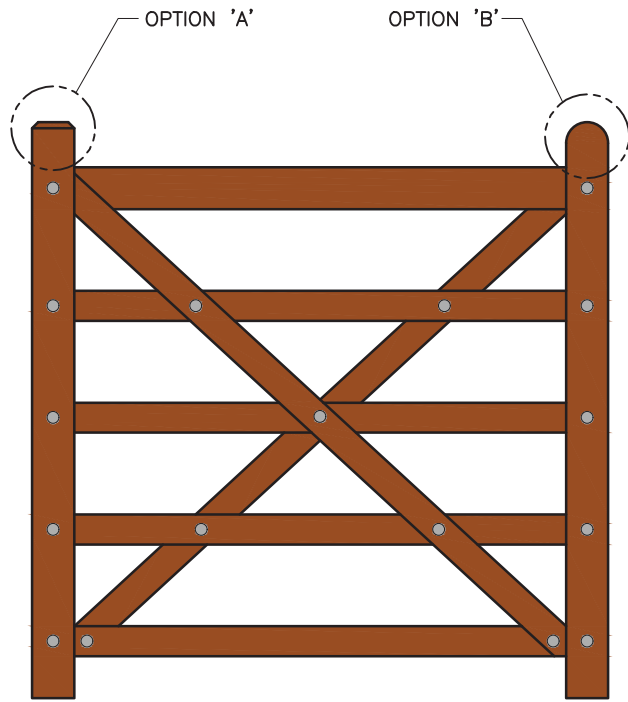
PROPERTY OF:



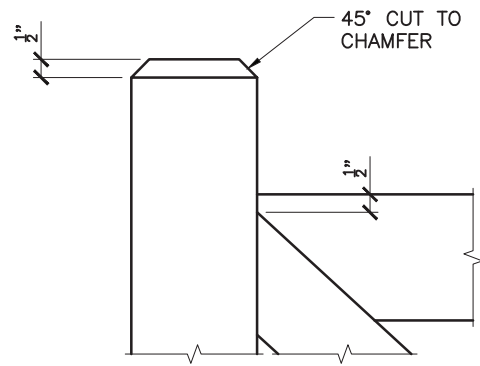
PRODUCT DESCRIPTION:

4' 'X' RAIL GATE COMPONENTS

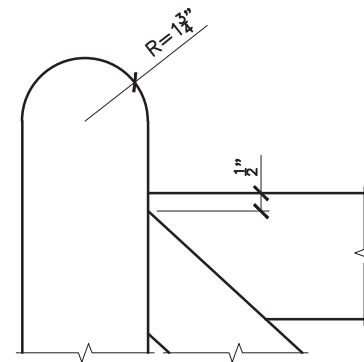
ALL DIMENSIONS ±0.125"



4' 'X' RAIL GATE



OPTION 'A'



OPTION 'B'

PROPERTY OF:



PRODUCT DESCRIPTION:

TOP RAIL AND STILE DETAIL

ALL DIMENSIONS  $\pm 0.125$ "